

# Honeywell

## Installation Guide

Single Zone Thermostat

Y87RF



---

# Installation instructions

---

## 1. Disconnect the mains power from the Heating Appliance.

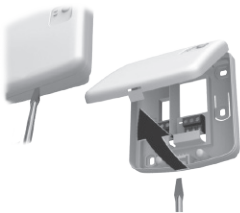
To ensure your safety, always make sure mains power is switched off before accessing wiring.

---

## 2. Remove the wiring plate from the Boiler Relay.

2.1 Carefully press a screwdriver into the opening until the cover comes free.

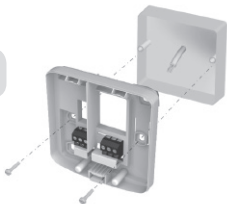
2.2 Tilt the cover upwards and remove it.



---

3. **Mount the wiring plate to the wall or wallbox.**

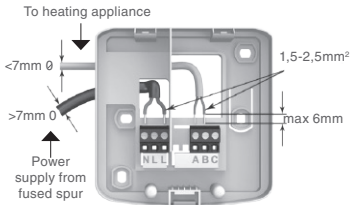
**Note:** the plugs and mounting screws required are supplied.



---

4. **Connect the Boiler Relay wiring.**

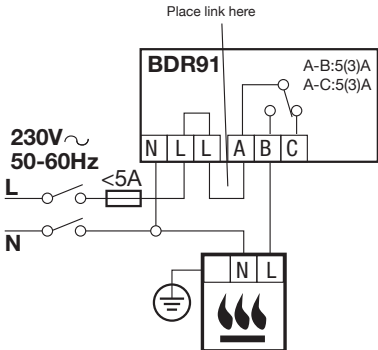
Please refer to wiring diagram (right).



---

## 5.1 Wiring for a basic boiler (not requiring a pump overrun).

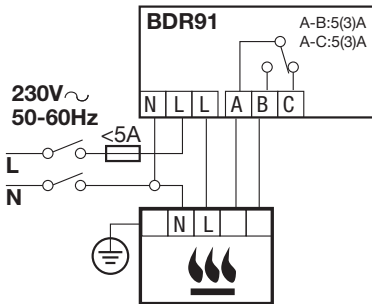
The boiler relay powers the boiler live input.



---

## 5.2 Wiring for a boiler that requires a permanent live.

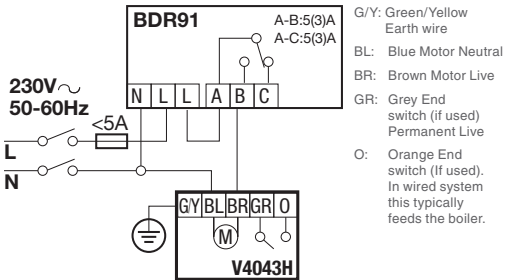
For use with a boiler that requires a permanent live (a typical Combi boiler wiring). This can be used for boilers with low voltage or 230Vac room thermostat inputs. Please check manufacturer's instructions.



---

### 5.3 Wiring for a two-port zone valve.

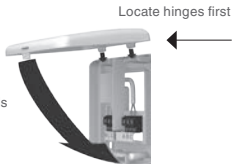
For use with a boiler that requires a permanent live.  
Please check manufacturer's instructions.



---

**6. Attach the Boiler Relay to the wiring plate.**

Hinge the housing downwards and click into place.



---

**7. Reconnect the mains power to the Heating Appliance.**

---

**8. Locate the thermostat.**

- Away from draughts
- Away from heat sources
- Away from direct sunlight
- Positioned about 1.2m–1.5m from the floor

*continued overleaf*

---

---

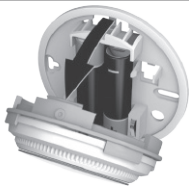
**9. First remove the dial.**



---

**10. Unclip the mounting plate.**

Press the top of the thermostat downwards, pull it loose and tilt forwards.

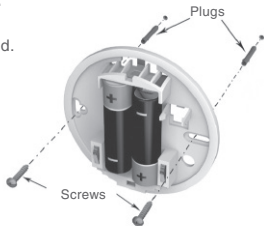




---

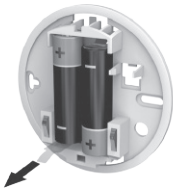
**11. Mount directly to the wall.**

The plugs and mounting screws required are supplied.

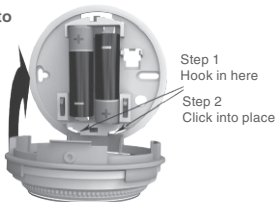


---

**12. Remove the protective tab between the batteries.**



- 
- 13. Attach the thermostat to the mounting plate.**



- 
- 14. Replace the dial.**



---

## Binding to the Boiler Relay

---

The Single Zone Thermostat is supplied ready to install, binding is only required if the Thermostat and Boiler Relay are purchased separately.

---

### Touch zones.

There are two touch zones just below the thermostat display, which are used to access menus and functions.



- 
1. **First, set the Boiler Relay into binding mode by holding down the BIND button for 5 seconds, until the red LED flashes 0.5 seconds on 0.5 seconds off.**



- 
2. **You can now bind the Single Zone Thermostat. Touch and hold on the left touch zone for approximately 10 seconds.**



- 
3. **The screen for binding the Boiler Relay is now displayed.**



- 
4. When the symbol 'bo' is flashing, briefly touch the left touch zone to send the binding signal, at which point the ))) symbol will flash several times.
- 

5. If binding has been successful the number indicates the signal strength (1 = min to 5 = max).

If binding fails, )))  appears on screen. Please try again.



Successful binding



Failed binding

- 
6. The red LED on the Boiler Relay will turn off when binding has been successful.

**Note:** binding can be cancelled from the binding screen by touching and holding on the left touch zone for approximately 10 seconds.

---

---

# Installation Menu

---

The single Zone Thermostat has an Installation Menu that is used to set the minimum and maximum temperature limits and the off temperature setting.

**Maximum and minimum temperatures:**

The maximum temperature you can set your thermostat to is 35°C and the minimum is 5°C.

**The off temperature:**

If the thermostat is operated remotely, this is the temperature value that is used when it is switched off from the remote app.

## Activate the Installation Menu as follows:

---

1. Rotate the setting ring fully to the left until the minimum value is shown. When the value starts flashing, touch and hold on both left and right touch zones for approximately 10 seconds.



- 
2. The maximum temperature limit is now displayed. The setting can be changed using the setting ring. There is no need to confirm the value.



- 
3. While this setting is flashing, touch the left touch zone briefly to display the minimum temperature limit. This can also be changed using the setting ring.



- 
4. Touch the left touch zone to display the off temperature setting. Change this using the setting ring as before.



- 
5. The Installation Menu closes automatically 10 seconds after the last action.
-

## Approvals

Conforms to protection requirements of the following directives:

EMC: 2004/108/EC

LVD: 2006/95/EC

R&TTE: 1999/05/EC

Hereby, Honeywell, declares that this Single Zone Thermostat is in compliance with the essential requirements and other relevant provisions of Directive 1999/5/EC.

Manufactured for and on behalf of the Environmental and Combustion Controls Division of Honeywell Technologies Sàrl, ACS-ECC EMEA, Z.A. La Pièce 16, 1180 Rolle, Switzerland by its Authorised Representative Honeywell Inc.

Need help? For assistance please visit:  
[www.honeywelluk.com](http://www.honeywelluk.com)

Honeywell Control Systems Ltd.  
Skimped Hill Lane, Bracknell, Berkshire  
RG12 1EB



## WEEE Directive 2012/19/EC

Waste Electrical  
and Electronic  
Equipment directive

- At the end of the product life dispose of the packaging and product in a corresponding recycling centre.
- Do not dispose of the unit with the usual domestic refuse.
- Do not burn the product.
- Remove the batteries.
- Dispose of the batteries according to the local statutory requirements and not with the usual domestic refuse.



32301889-001 A