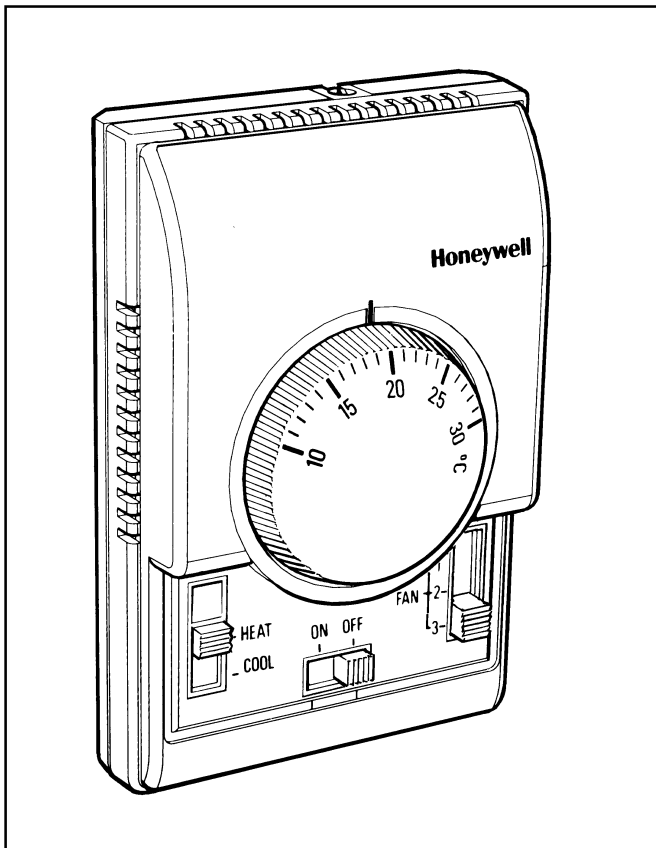


XE70 SERIES

T6372/T6373 FAN-COIL THERMOSTATS 2-PIPE FAN-COIL CONTROL

PRODUCT SPECIFICATION SHEET



The T6372 and T6373 are designed to control the valve, or the valve and the fan in 2-pipe fan-coil applications.

The thermostat operates an on/off valve to provide control at the desired setpoint temperature.

The fan can also be controlled from the thermostat. In some cases it is wired to run continuously, and can be switched off with the system ON/OFF switch, while with other models there is a choice of running the fan continuously, or cycling it with the thermostat.

Versions are available with a manual 3-speed fan switch, and with a system on-off switch.

Heat/cool changeover operation is also possible on some versions. This function can be accomplished either by a manually operated heat/cool switch on the front of the thermostat or in some versions automatically by the use of a pipe thermostat on the supply water pipe of the fan-coil.

FEATURES

- Dual diaphragm sensing element ensures close temperature control for all loads and applications
- Attractive modern styling makes this thermostat ideal for locating in the occupied space, particularly in offices or hotels
- All versions have heat anticipator, which improves temperature control in both heating and cooling operation
- Thermostat mounts directly onto a wall or conduit box
- Slide switches allow manual control of system operation and fan speed
- Auto heat/cool changeover possible (on some versions) by using pipe thermostat
- Optional extras:
 - range stops F42006646-001 (20 per pack, enough for 10 thermostats)

SPECIFICATIONS

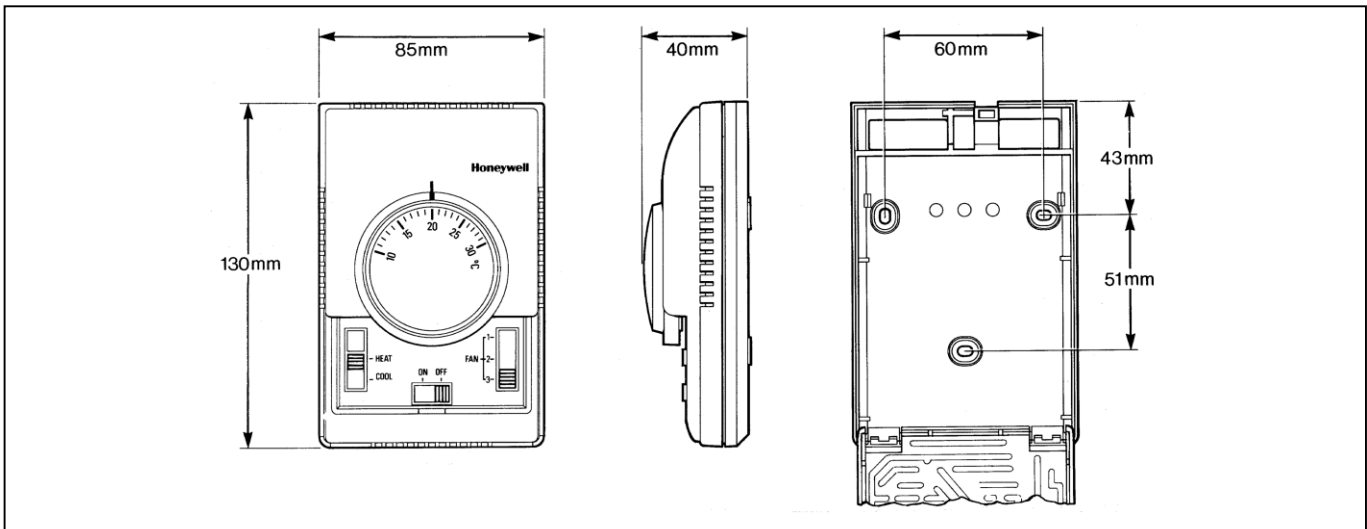
Model	Switches							Features	
	ON/OFF	3-speed Fan	Fan/ Auto/Cont	Heat/Cool	Heat/Cool	Heat/Off/ Cool	Heat/Fan/ Cool	Fixed Deadband	Auto Change-over
	(SPST)	(SPTT)	(SPDT)	(SPDT)	(DPDT)	(DPTT)	(DPTT)		
T6372B1032	■			■					
T6373A1017	■	■							
T6373A1157	■	■							†
T6373B1015	■	■		■					
T6373B1064	■	■		■					
T6373C1013	■	■							□

□ = changeover using aquastat

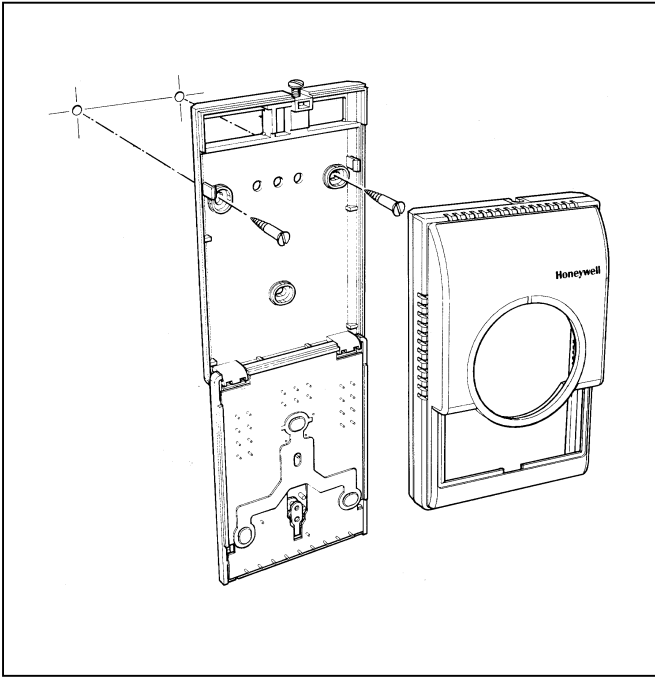
† = central changeover possible for multiple units, requires central switch

Setpoint range	: 10...30°C. By means of a large setpoint dial	Wiring	: Up to 8 screw-in terminals per unit, capable of accepting wires up to 1.5 mm ²
Supply voltage	: 230 V~, 50...60 Hz	Enclosure	: Plastic 2-piece housing
Thermostat switch	: S.P.D.T.	Dimensions	: 85 x 130 x 40 mm (w x h x d).
Performance	: Typical differential 1K (heating & cooling) at 20°C at 50% load with anticipator connected	Protection class	: IP30
Electrical ratings	: 4(2) A, 230 V~ Typical loads are fans, zone valves and relays	Environmental requirements	: Operating temperature range 0 to 40°C Shipping and storage temperature range -20 to 50°C Humidity range 0 to 90% rh, non-condensing
Operational life	: Greater than 100,000 cycles (all loads) for thermostat contacts at 230 V~ Greater than 6,000 operations for all manually operated switches	Approvals	The XE70 range is CE, RoHs and WEEE compliant. For regulatory information, DoC / CoC D0046 is available on request. Product must be wired as shown for CE compliance.
Mounting	: Mounts directly onto wall or wall-box (mounting screws supplied)		

DIMENSIONS



INSTALLATION



Location

The XE70 Series thermostat is the temperature control element in the fan-coil or air-conditioning system, and must be located in a position with good air circulation, on an inside wall about 1.5 m above the floor to sense the average temperature. Do not position the thermostat in draughts, near hot or cold air sources or where it will be affected by radiant heat from the sun or other appliances.

Mounting the thermostat

Any XE70 Series thermostat can be directly mounted on the wall or on a conduit box (see diagram). Mounting screws are supplied for both alternatives.

Wiring the thermostat

The standard wiring access is via a hole in the base of the thermostat, near the top edge.

IMPORTANT

1. The installer must be a trained service engineer
2. Disconnect the power supply before beginning installation

OPERATION

Sensing element

The thermostat sensing element comprises two circular, flexible metal plates welded together at the rims and encapsulating a gas/liquid combination whose pressure changes in response to variations in temperature. This dual-diaphragm expands and contracts with ambient temperature changes to operate a snap-acting switch which controls the heating or cooling circuit.

Heat anticipator

It is recommended that the heat anticipator is always connected for both heating and cooling operation.

Switches

All switches are slide switches for ease of operation.

The ON/OFF switch is a system on/off switch, as it removes power from the thermostat.

The FAN SPEED switch allows selection of 3 different fan speeds, 1 (low), 2 (medium), and 3 (high)

The SPDT HEAT/COOL switch allows selection of either heating or cooling operation. There is only a single output connection capable of powering a fan or a single zone valve in a 2-pipe fan-coil unit.

Application

		T6372B 1032	T6373A 1017	T6373A 1157	T6373B 1015	T6373B 1064	T6373C 1013
Application	Ventilation	☉					
	2-pipe fan-coil	☉	☉	☉	☉	☉	☉
	4-pipe fan-coil						
	Heatpump Air-conditioner						
Control Capability	Heat or Cool		☉	☉			☉
	Heat/cool	☉			☉	☉	☉
	Changeover	manual	cont	central	manual	manual	auto
	Fan control (auto or cont)	a or c		cont	cont	a or c	cont
	Fan speed control		☉	☉	☉	☉	☉
Valve control	☉	☉	☉	☉	☉	☉	
Compressor control							

WIRING

