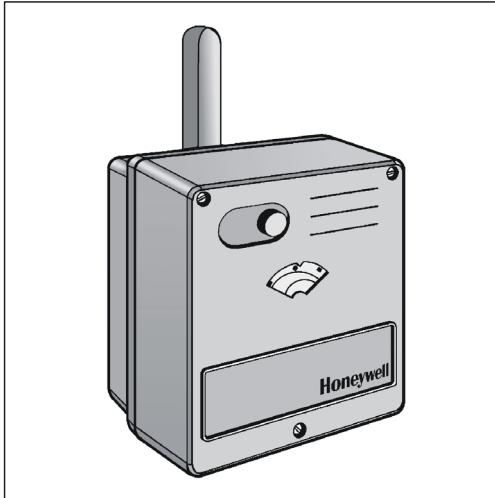


M7061 ROTARY VALVE ACTUATORS

PRODUCT DATA



FEATURES

- Protected against overload and blocking
- Maintenance-free electrical actuator for rotary valves
- Clear position indicator
- Direct mounting on rotary valves
- Manual operation
- High torque
- Large wiring cabinet
- Long lifetime

TECHNICAL DATA

| | |
|-------------------------------|---|
| Power supply | 24 Vdc ($\pm 10\%$) 24 Vac (+15% / -20%, 50/60 Hz) |
| Power consumption | 100 mA |
| Control signal | 0...10 V / 2...10 V |
| Angle of rotation | 90° |
| Run time | model-dependent; see table |
| Nominal torque | model-dependent; see table |
| Protection standard | IP 54 per EN 60529 |
| Insulation class | I per EN 60730 |
| Ambient operating temperature | 0...45 °C |
| Water temperatures in valve | 2...110 °C |
| Relative humidity | non-condensing |
| Weight | 1.5 kg |

APPLICATION

The Honeywell M7061 actuator is designed to provide modulating control in heating and air conditioning systems. High control performance and a robust design are standard for this actuator. In combination with valves DRxxxGMLA / DRxxxGFLA, ZRxxxMA / ZRxxxFA, and DRU, it is possible to control very exact heating and cooling water temperatures. The mechanical interface between actuator and valve is designed for reliable operation. Actuators with torques from 10 Nm up to 20 Nm are available for a wide range of rotary mixing valves (DN 15 up to DN 80).

Model-Specific Technical Data

| torque | run time | valve dimension | OS number |
|--------|-----------|-----------------|------------|
| 10 Nm | ~ 1.5 min | DN15 to DN40 | M7061E1012 |
| 20 Nm | ~ 3.0 min | DN15 to DN80 | M7061E1020 |

Suitable Valves

DRxxxGMLA / DRxxxGFLA, ZRxxxMA / ZRxxxFA, DRU

OPERATION

The actuator is powered by a DC-motor. The spindle of the actuator rotates 90°. The position is controlled by internal electronics.

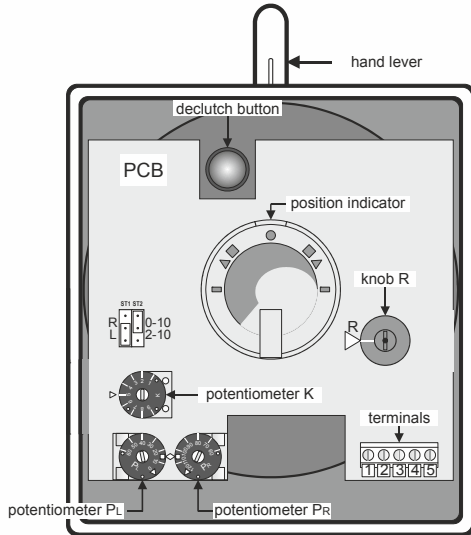


Fig. 1. Main features

The angle of rotation is electronically limited and can be adjusted (see section "Angle of Rotation"). The spindle can also be rotated manually by using the declutch button (see Fig. 1) to disengage the gear and then turning the hand lever. As soon the actuator is powered, the valve is driven by the actuator again.

An electrical overload circuit protects the actuator. If the rated torque is exceeded, the actuator is switched OFF automatically.

The actuator is maintenance-free.

Commissioning and Service

Direction of Motor Rotation

The direction of rotation can be defined using jumper **ST1** (see Fig. 1).

- ST1 in "L" (left) position (factory setting): clockwise rotation 0 → 100% (i.e. when Y = 0 Vdc, the hand lever is at the left end)
- ST1 in "R" (right) position: counterclockwise rotation 100% ← 0 (i.e. when Y = 0 Vdc, the hand lever is at the right end).

Input Signal Y

The input signal Y can be set using jumper **ST2** (see Fig. 1):

- ST2 in the upper position (factory setting): Y = 0...10 Vdc
- ST2 in lower position: Y = 2...10 Vdc

Adjusting Spindle to Feedback Potentiometer

The position of the spindle can be adjusted to match the signal from the feedback potentiometer using **knob R** (see Fig. 1). With the motor in the center position (the mark on the hand lever must line up with the mark on the motor housing),

the graduation on knob R must point to the triangle on the PCB (factory setting). Adjustment is required only if the printed circuit board is changed for servicing.

Actuator Characteristic

The actuator characteristic, i.e. the relation between motor rotation and the input signal Y, can be altered to suit the given valve using **potentiometer K** (see Fig. 1). The curve of the characteristic between its start and end points can be adjusted infinitely between convex, linear and concave (see Fig. 2). Potentiometer K is marked with the numerals 1 through 9. The linear characteristic K = 5 is the factory setting.

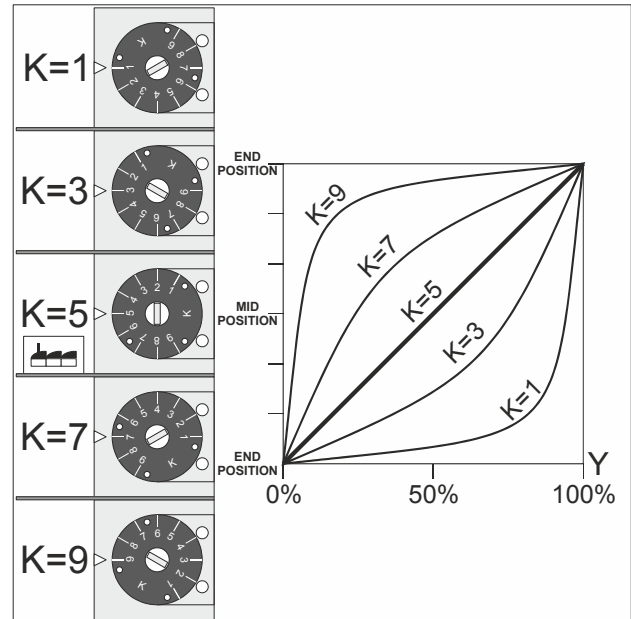


Fig. 2. Characteristic curve

Examples

When mounting the proportional actuator onto a valve with a linear characteristic, an equal percentage characteristic on the controlled unit can be achieved by setting a concave curve ($K \approx 3$).

An actuator used together with an oversized mixing valve is a further application requiring a concave curve ($K \approx 3$).

If Y = 50% and $K \neq 5$, then the actuator will not stop at the mid position.

If, however, Y = 50% and $K = 5$, then the actuator will stop at the mid position.

Angle of Rotation

The angle of rotation is adjustable via the **potentiometers P_L and P_R** (see Fig. 1). Start and end points can be adjusted independently.

The nominal angle is 90° (105° – 15° = 90°); the potentiometers are factory set as follows: P_L = 15 and P_R = 105. These settings are marked by a square ■.

The desired angle can be adjusted by changing the start and end points; within the total range, all angles are possible.

The start point can be adjusted between 0 and 60° using potentiometer P_L, while the end point is adjustable between 60° and 120° using potentiometer P_R.

Fig. 3 shows an example setting of the angle rotation in which the start point has been set to 15° and the end point to 105°, and Fig. 4 shows the corresponding relation between the input signal and the angle of rotation.

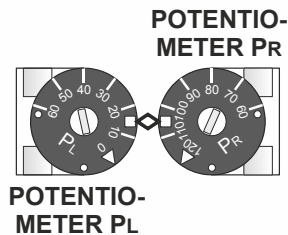


Fig. 3. Example setting of angle of rotation (P_L and P_R)

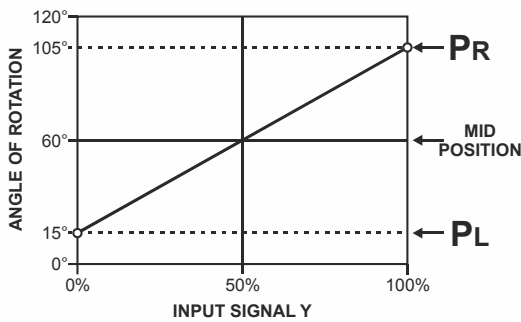


Fig. 4. Input signal Y and angle of rotation

NOTE: Setting angles of rotation which cause the actuator to drive against the mechanical end-stop will decrease the actuator's effective lifetime.

Accessory

VMU1

The VMU1 is an optional accessory which provides a feedback value (output signal) indicating the actuator's current position.

After removing the cover of the M7061, the VMU1 is pushed onto the printed circuit board of the M7061 in the desired position until it locks itself.

The switch located at the upper edge of the housing of the VMU1 adjusts the direction of rotation of the M7061. It must be adjusted to correspond with the position of jumper ST1.

The angle of rotation of the M7061 is then set using potentiometer Y on the VMU1 housing. Potentiometer Y must be

adjusted to the same symbol (square or triangle) as potentiometer P_L or P_R.

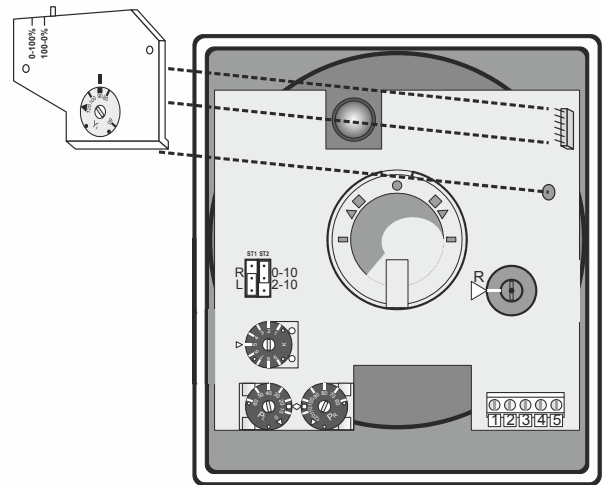


Fig. 5. Mounting VMU1

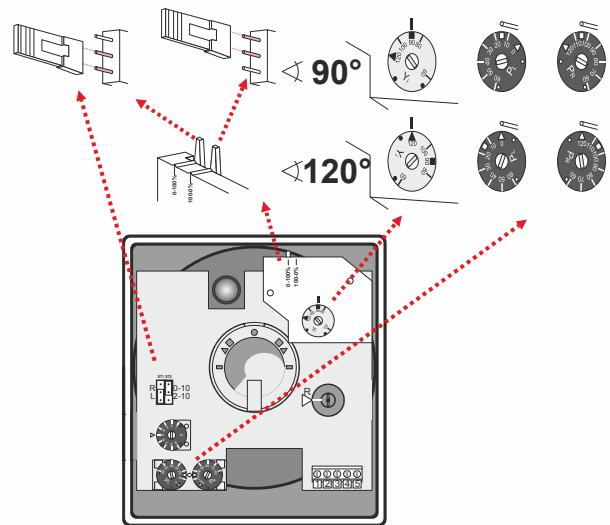


Fig. 6. Adjusting settings

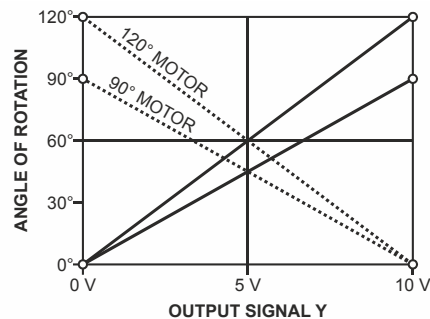


Fig. 7. Output signal Y and angle of rotation with VMU1

Mounting on the Valve

Before mounting the actuator, position the rotary valve as appropriate; see also DRxxxGMLA / DRxxxGFLA – Product Data (EN0B-00607GE51), ZRxxxMA / ZRxxxFA – Product Data (EN0B-0606GE51), and DRU – Product Data (EN0B-0608GE51).

For more information, see also M7061 - Installation Instructions (MU1B-0243GE51).

Electrical Connection

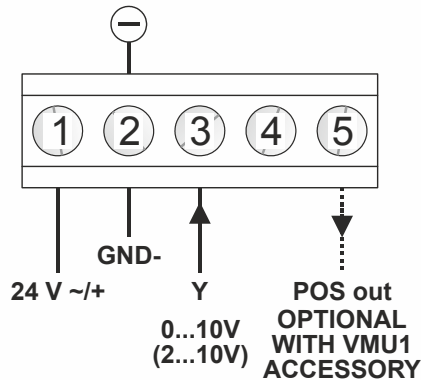


Fig. 8. Wiring

To override the input signal Y, i.e. in order to control the position from an external source, connect to motor terminals as follows:

- for a signal variable of 100%, connect terminal 3 to terminal 4
- for a signal variable of 0%, connect terminal 3 to terminal 2 (system ground or ground wire).

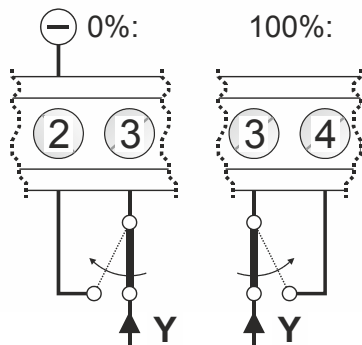


Fig. 9. Overriding the input signal Y

DIMENSIONS

Dimensions with DRxxxGMLA (mm)

| model | DN | c |
|----------|----|-----|
| DR15GMLA | 15 | 179 |
| DR20GMLA | 20 | 179 |
| DR25GMLA | 25 | 179 |
| DR32GMLA | 32 | 188 |
| DR40GMLA | 40 | 188 |

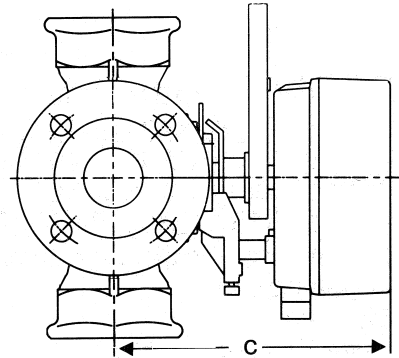


Fig. 10. M7061 with DRxxxGMLA, dimensions

Dimensions with DRxxxGFLA (mm)

| model | DN | c |
|-----------|-----|-----|
| DR20GFLA | 20 | 179 |
| DR25GFLA | 25 | 179 |
| DR32GFLA | 32 | 188 |
| DR40GFLA | 40 | 188 |
| DR50GFLA | 50 | 202 |
| DR65GFLA | 65 | 219 |
| DR80GFLA | 80 | 219 |
| DR100GFLA | 100 | 240 |
| DR125GFLA | 125 | 267 |
| DR200GFLA | 150 | 274 |

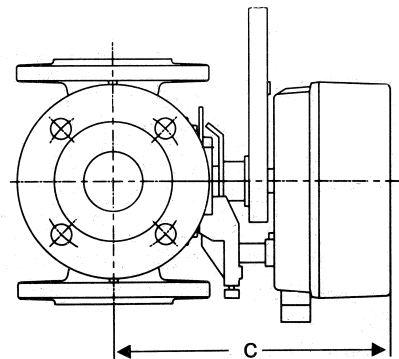


Fig. 11. M7061 with DRxxxGFLA, dimensions

Dimensions with DRUxxxGMLA (mm)

| model | DN | h |
|-----------|----|-----|
| DRU25-2.5 | 25 | 182 |
| DRU25-4.0 | 25 | 182 |
| DRU25-6.3 | 25 | 182 |
| DRU25-10 | 25 | 182 |
| DRU25-16 | 25 | 182 |
| DRU32-10 | 32 | 200 |
| DRU32-16 | 32 | 200 |
| DRU32-25 | 32 | 200 |

Dimensions with ZRxxxFA (mm)

| model | DN | c |
|---------|-----|-----|
| ZR25FA | 25 | 179 |
| ZR32FA | 32 | 188 |
| ZR40FA | 40 | 188 |
| ZR50FA | 50 | 202 |
| ZR65FA | 65 | 219 |
| ZR80FA | 80 | 219 |
| ZR100FA | 100 | 240 |
| ZR125FA | 125 | 267 |
| ZR150FA | 150 | 274 |
| ZR200FA | 200 | 314 |

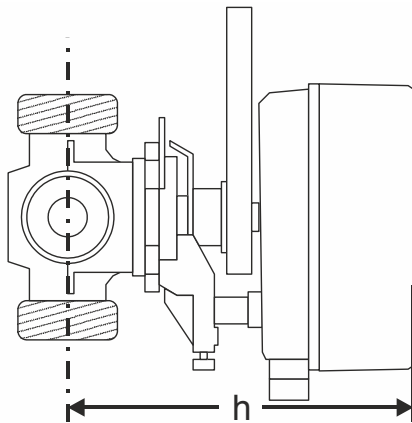


Fig. 12. M7061 with DRU, dimensions

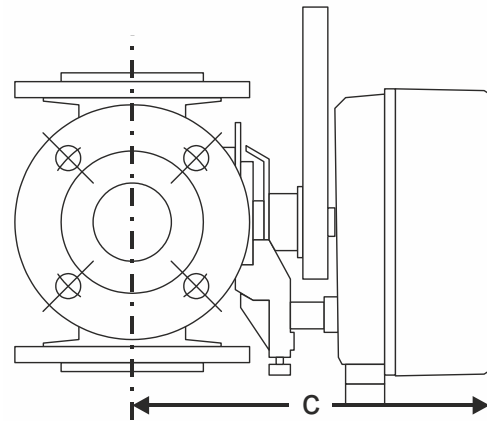


Fig. 14. M7061 with ZRxxxFA

Dimensions with ZRxxxMA (mm)

| model | DN | c |
|--------|----|-----|
| ZR15MA | 15 | 179 |
| ZR20MA | 20 | 179 |
| ZR25MA | 25 | 179 |
| ZR32MA | 32 | 188 |
| ZR40MA | 40 | 188 |

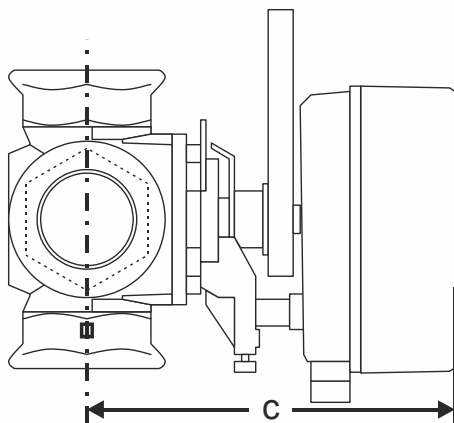


Fig. 13. M7061 with ZRxxxMA

Dimensions M7061 (mm)

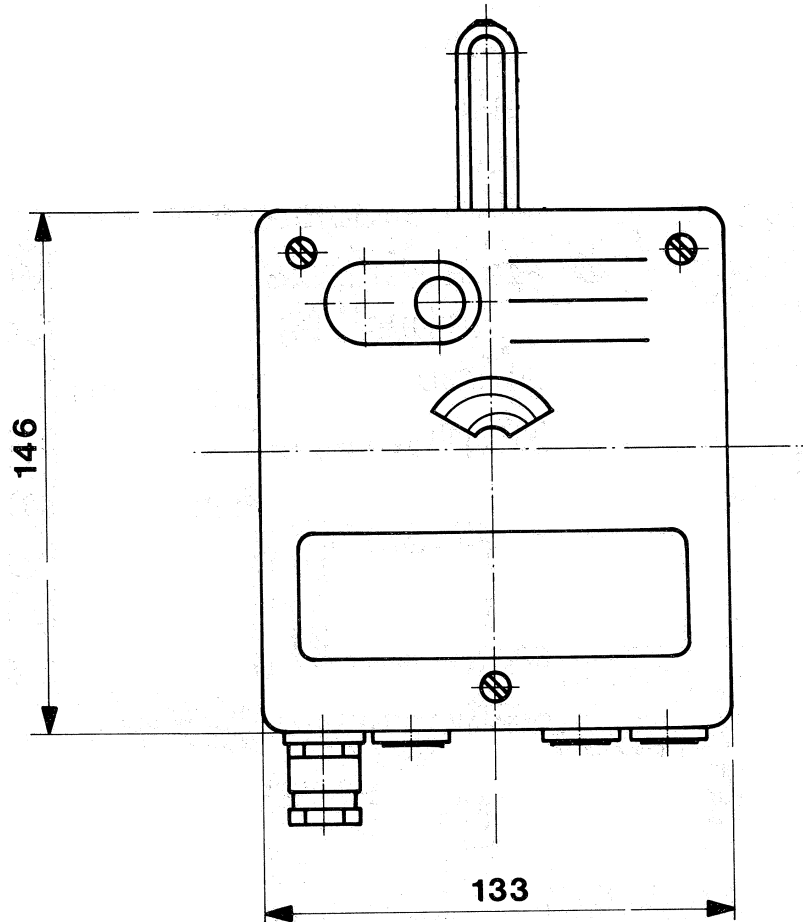


Fig. 15. M7061, dimensions (in mm)

Honeywell

Manufactured for and on behalf of the Environmental and Combustion Controls Division of Honeywell Technologies Sàrl, Rolle, Z.A. La Pièce 16, Switzerland by its Authorized Representative:

Automation and Control Solutions

Honeywell GmbH
Böblinger Strasse 17
71101 Schönaich, Germany
Phone +49 (0) 7031 637 01
Fax +49 (0) 7031 637 740
<http://ecc.emea.honeywell.com>

EN0B-0076GE51 R1115

Subject to change without notice