

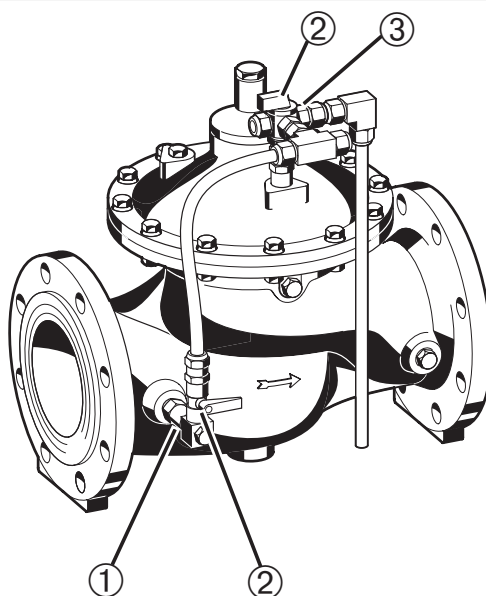
## FV300

Einbau-Anleitung • Installation Instructions  
Instructions de montage • Istruzioni di montaggio

### E1

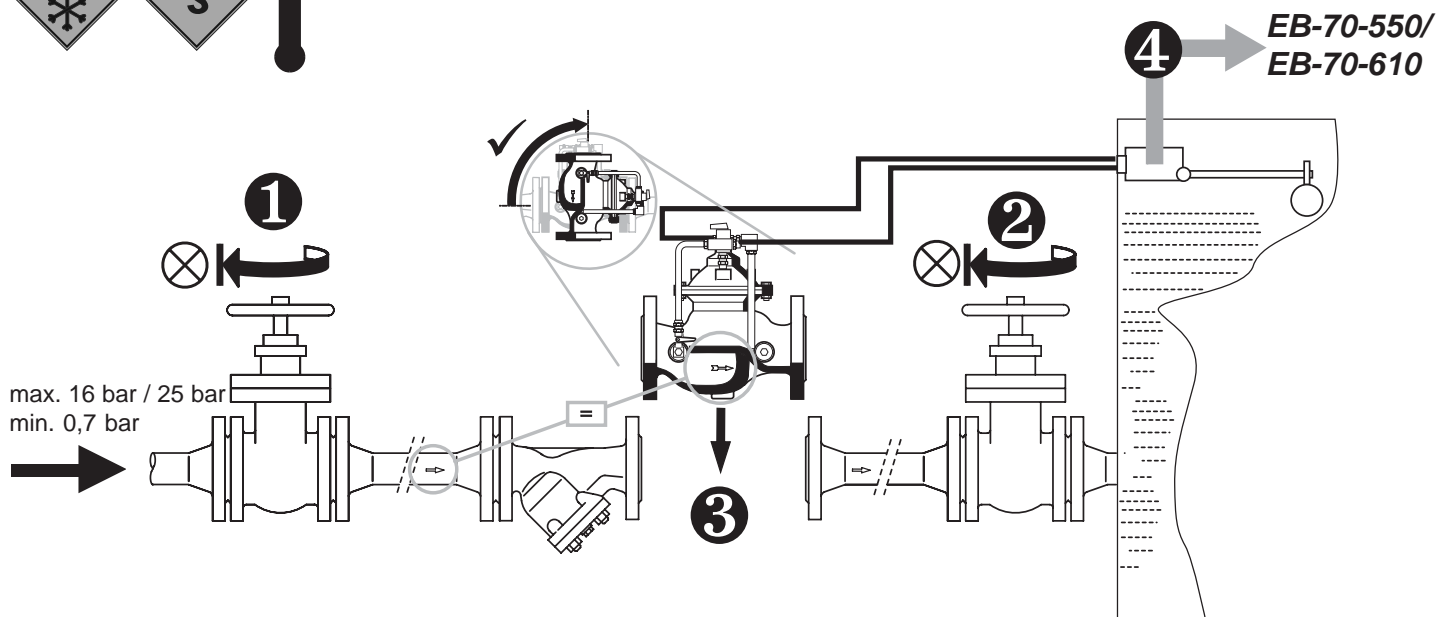
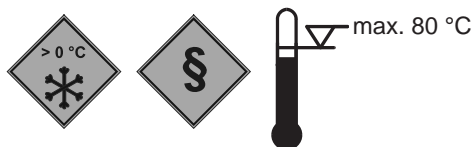
Bauteile • Components • Pièces • Componenti

- ① = Filtereinsatz  
Filter insert  
Garniture de filtration  
Inserto filtro
- ② = Absperr-Kugelhahn  
Manual ball valve  
Clapet à bille  
Valvola di intercettazione a sfera
- ③ = 3-Wege Ventil  
3-way valve  
Robinets de régulation à 3 voies  
Valvola a tre vie



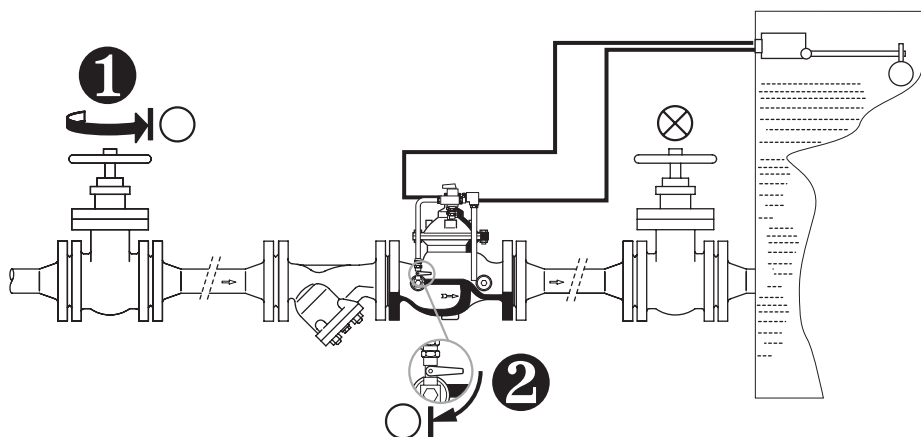
### E2

Einbau • Installation • Installation • Installazione

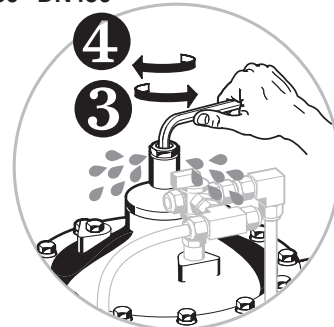


# E3

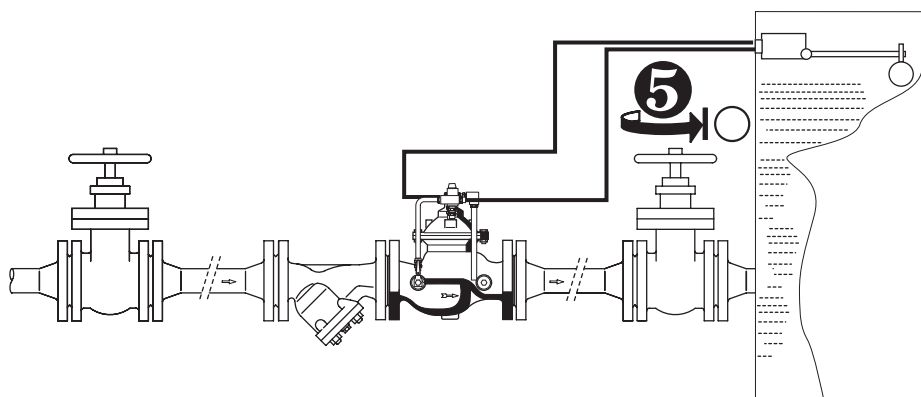
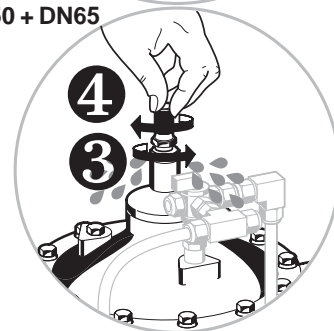
Inbetriebnahme • Commissioning • Mise en service  
Messa in servizio



DN80 - DN450

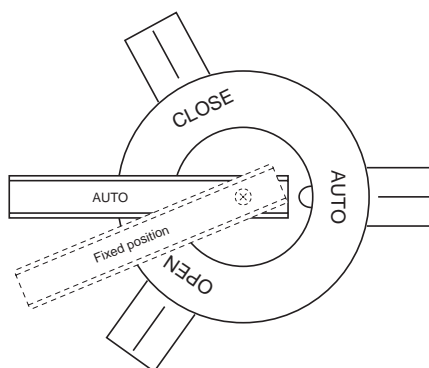
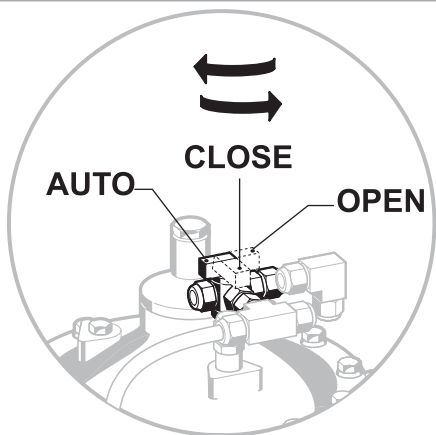


DN50 + DN65



# E4

Betrieb • Operation • Activité • Funzionamento



## Automation and Control Solutions

Honeywell GmbH  
Hardhofweg  
74821 MOSBACH  
GERMANY  
Phone: (49) 6261 810  
Fax: (49) 6261 81309  
<http://ecc.emea.honeywell.com>

Manufactured for and on behalf of the Environmental and Combustion Controls Division of Honeywell Technologies Sàrl, Rolle, Z.A. La Pièce 16, Switzerland by its Authorised Representative Honeywell GmbH

MU1H-1328GE23 R0812  
Subject to change without notice  
© 2012 Honeywell GmbH

# Honeywell