

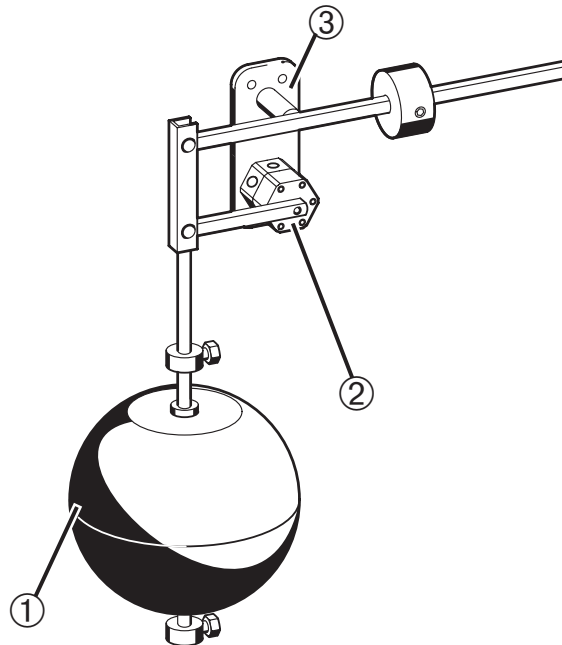
# E1

## Bauteile • Components • Pièces • Componenti

① = Schwimmer  
Float  
Nageur  
Galleggiante

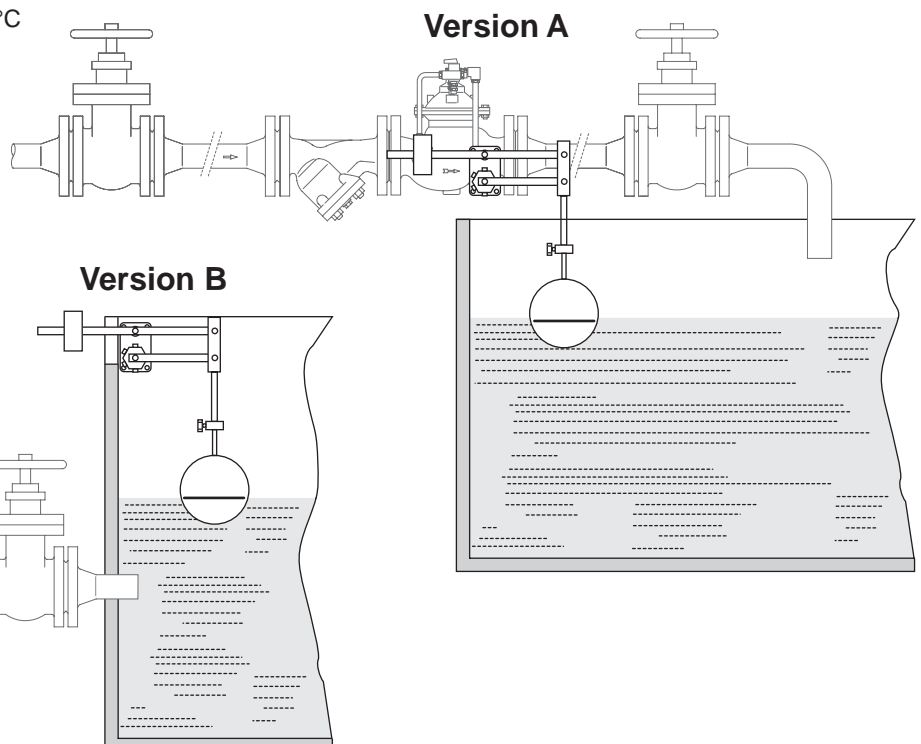
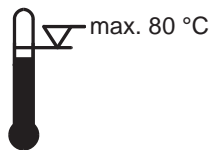
② = Pilotventil  
Pilot valve  
Vanne pilote  
Valvola pilota

③ = Trägerplatte  
Suspension plate  
Porteur  
Piastra di supporto



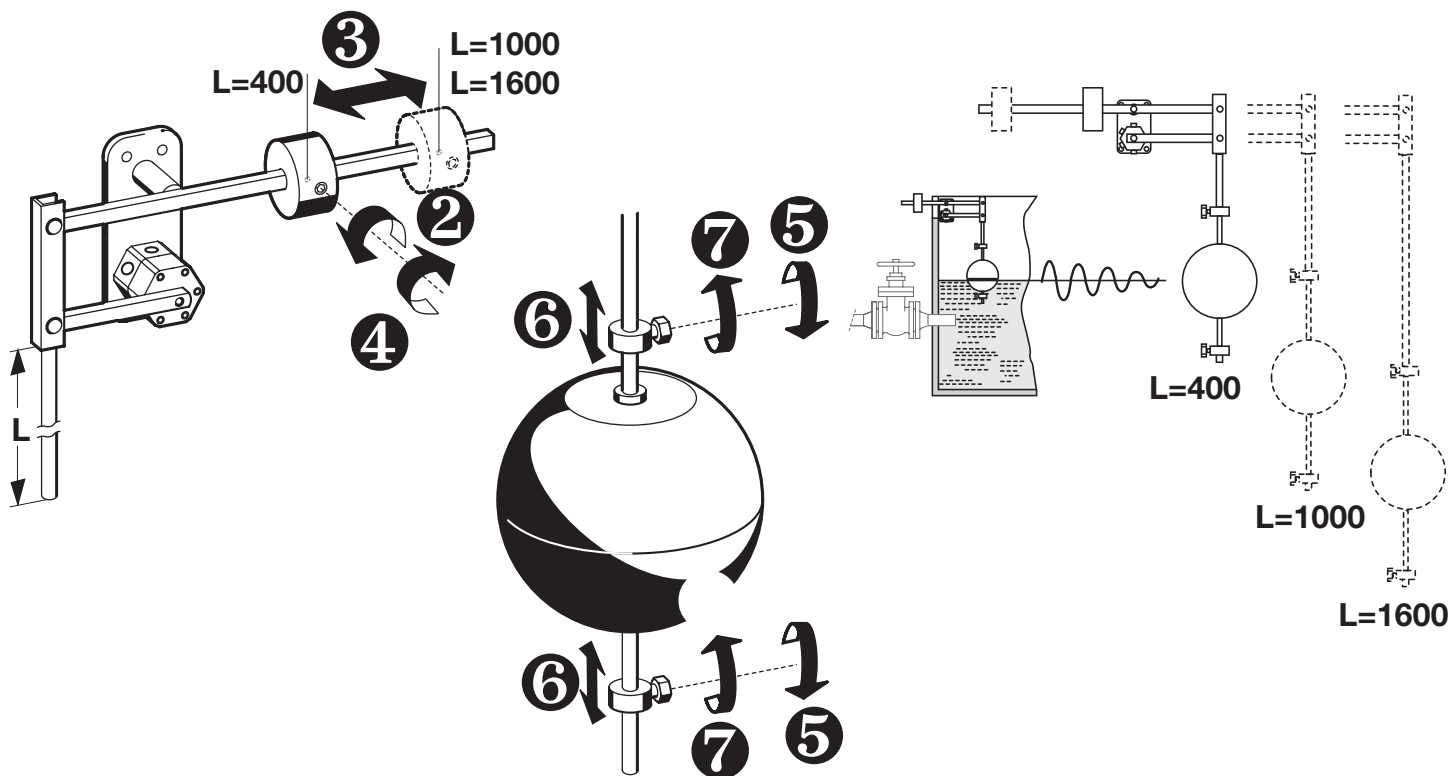
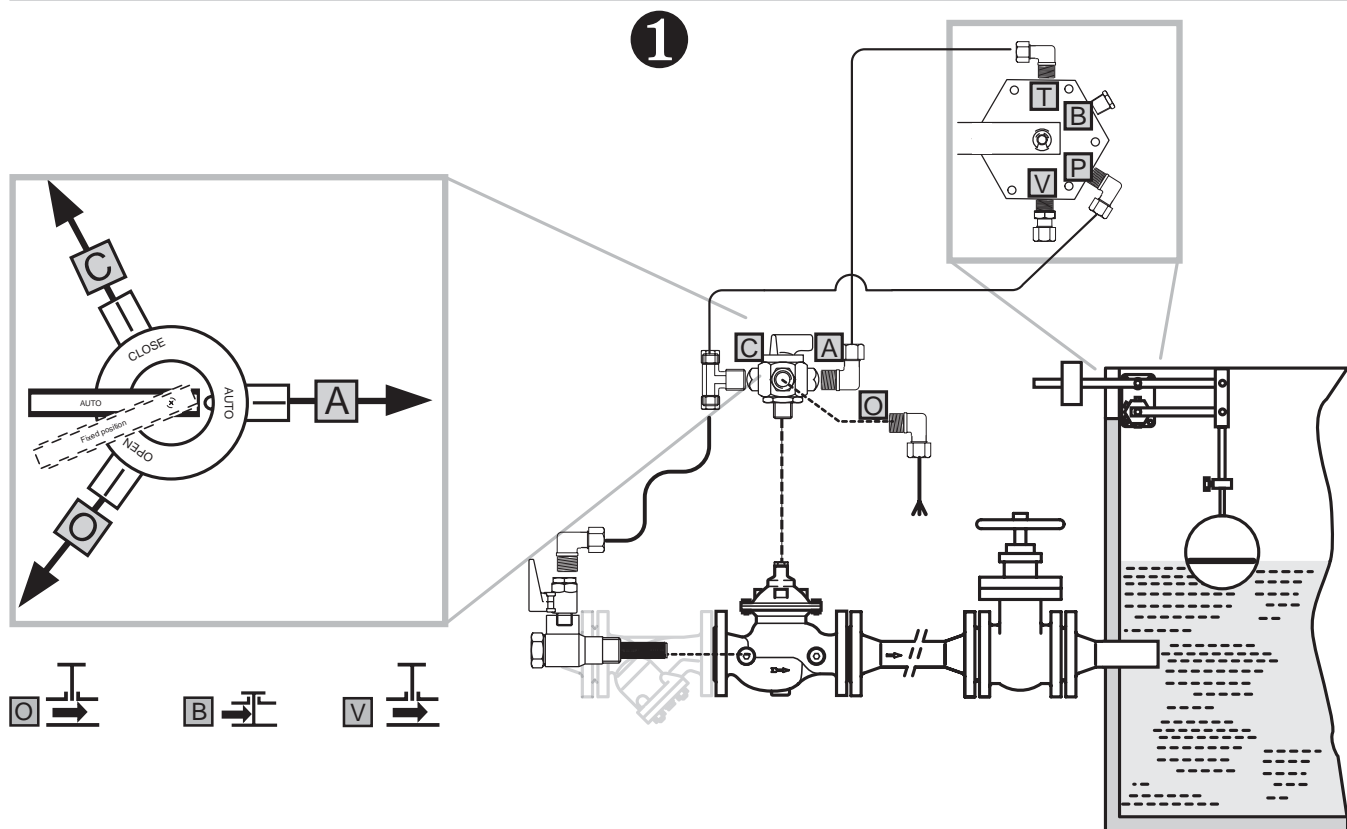
# E2

## Einbau • Installation • Installation • Installazione



# E3

Inbetriebnahme • Commissioning • Mise en service  
Messa in servizio



## Automation and Control Solutions

Honeywell GmbH  
Hardhofweg  
74821 MOSBACH  
GERMANY  
Phone: (49) 6261 810  
Fax: (49) 6261 81309  
<http://ecc.emea.honeywell.com>

Manufactured for and on behalf of the Environmental and Combustion Controls Division of Honeywell Technologies Sàrl, Rolle, Z.A. La Pièce 16, Switzerland by its Authorised Representative Honeywell GmbH

MU1H-1339GE23 R0213  
Subject to change without notice  
© 2013 Honeywell GmbH

# Honeywell