



MiniPlus FF06-AAM

Rinsable fine filter with brass filter bowl

APPLICATION

Rinsable MiniPlus FF06-AAM fine filters ensure a continuous supply of filtered water. The fine filter stops the flow of particulates, for example rust particles, strands of hemp, or grains of sand. Sediment collected at the bottom of the filter bowl can simply be removed by rinsing the filter.

Compact in size, these filters were designed to fit where space is limited.

SPECIAL FEATURES

- Simple assembly
- Filtered water supply even during rinsing
- Filter bowl of brass - suitable for hot water installations
- Filter and complete filter bowl are replaceable
- Body with female and male threads

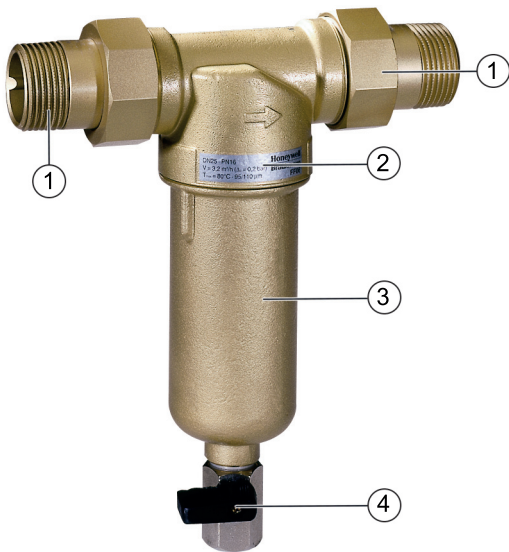


TECHNICAL DATA

Media	
Medium:	Drinking water
Connections/Sizes	
Connection sizes:	1/2" - 1 1/4"
Pressure values	
Max. operating pressure:	25.0 bar
Operating temperatures	
Max. operating temperature medium:	70 °C
Specifications	
Installation position:	Horizontal with filter bowl downwards

Note: The filter is constructed for drinking water installations. In case of a process water application the filter has to be proven individually.

CONSTRUCTION

Overview	Components	Materials
	1 Threaded connections (option AA)	Brass
	2 Housing with female and male threads	Dezincification resistant pressed brass
	3 Fine filter in brass filter bowl	Stainless steel
	4 Ball valve	-
Not depicted components:		
	Double wring wrench	-

METHOD OF OPERATION

The fine filter is composed of a body and a rinsable fine filter insert.

During normal operation, water flows through the filter mesh to the body outlet. To rinse the filter, the ball valve is opened which discharges the dirt particles. A continuous supply of filtered water is available also during the rinse cycle.

TRANSPORTATION AND STORAGE

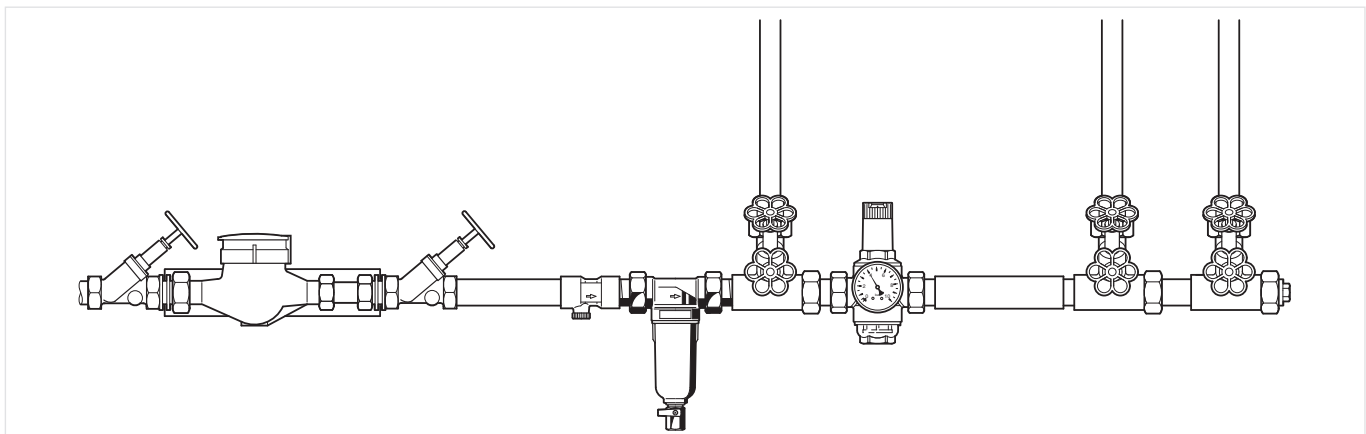
Keep parts in their original packaging and unpack them shortly before use.

The following parameters apply during transportation and storage:

Parameter	Value
Environment:	clean, dry and dust free
Min. ambient temperature:	5 °C
Max. ambient temperature:	55 °C
Min. ambient relative humidity:	25 % *
Max. ambient relative humidity:	85 % *

*non condensing

Installation Example



INSTALLATION GUIDELINES

Setup requirements

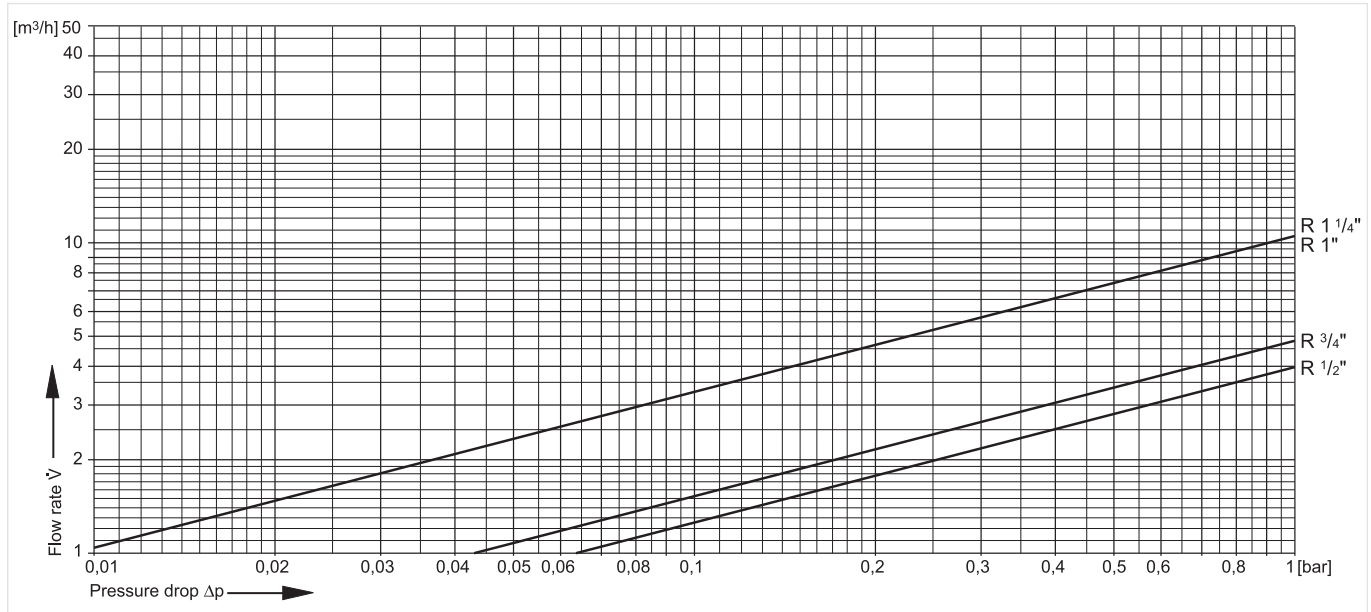
- Install in horizontal pipework with filter bowl downwards
 - This position ensures optimum filter efficiency
- Install shut-off valves
- These filters are armatures which need to be maintained regularly
- Ensure good access
 - Degree of contamination can be easily seen with clear filter bowl
 - Simplifies maintenance and inspection
- The installation location should be protected against frost
- Related to the EN 806-2 it is recommended to install the filter immediately after the water meter
- In order to avoid flooding, it is recommended to arrange a permanent, professionally dimensioned wastewater connection

TECHNICAL CHARACTERISTICS

kvs-Values

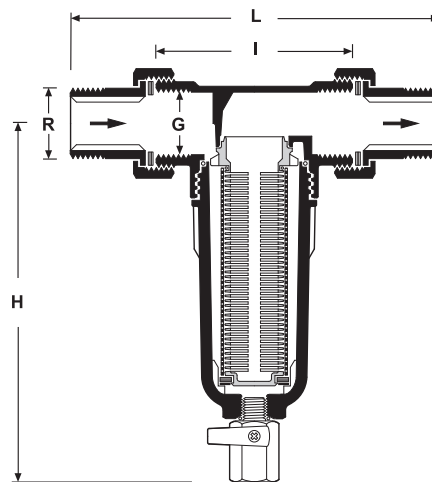
Connection sizes:	15	20	25	32
k _{VS} -value (m ³ /h):	1.8	3.2	9.5	9.5

Pressure drop characteristics



DIMENSIONS

Overview



Parameter	Values				
Connection sizes:	R	1/2"	3/4"	1"	1 1/4"
Internal threads:	G	1/2"	3/4"	1"	-
Dimensions:	L	140	158	179	197
	I	80	90	100	105
	h	158	180	180	180
Weight:	kg	1.4	1.46	1.76	1.5
Flow value at Δp=0.5 bar:	m ³ /h	1.27	2.27	6.7	6.7

Note: All dimensions in mm unless stated otherwise.

ORDERING INFORMATION

The following tables contain all the information you need to make an order of an item of your choice. When ordering, please always state the type, the ordering or the part number.

Options

The filter is available in the following sizes: 1/2", 3/4", 1" and 1 1/4".



- standard
- not available

		FF06-...AAM
Connection type:	Threaded male connections, filter mesh size 100 µm	•

Note: ... = space holder for connection size

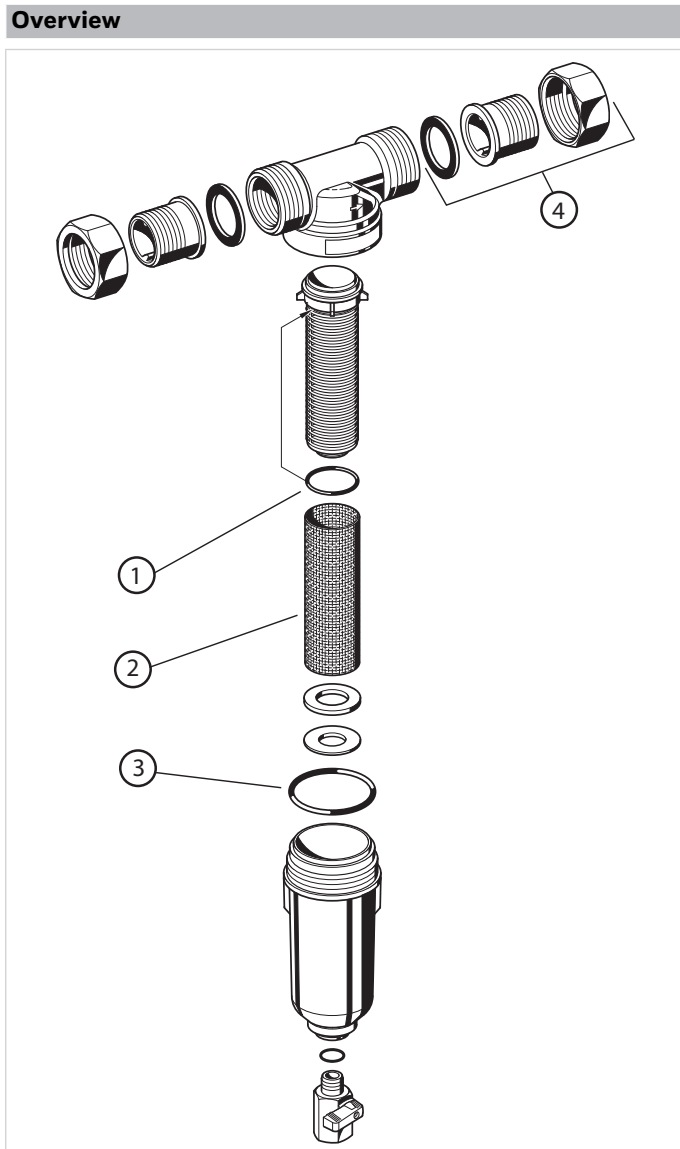
Note: Ordering number example for 1" and type AAM valve: FF06-1AAM

Accessories

	Description	Dimension	Part No.
	VST06B Connection set		
	Solder connections		
		1/2"	VST06-1/2B
		3/4"	VST06-3/4B
		1"	VST06-1B
		1 1/4"	VST06-1 1/4B
	ZR06F Double ring wrench		
	For removing filter bowl	1/2" - 1 1/4"	ZR06F

Spare Parts

MiniPlus FF06-AAM Fine Filters from 1997 onwards



Description	Dimension	Part No.
1 O-ring set for mesh carrier (10 pcs.)		
	1/2"	0903127
	3/4" - 1 1/4"	0903128
2 Replacement sieve		
	1/2"	AS06-1/2A
	3/4" - 1 1/4"	AS06-1A
3 O-ring set for filter bowl (10 pcs.)		
	1/2"	0901246
	3/4" - 1 1/4"	0901499
4 Connection set threaded connection		
	1/2"	VST06-1/2A
	3/4"	VST06-3/4A
	1"	VST06-1A
	1 1/4"	VST06-11/4A

For more information

homecomfort.resideo.com/europe



Ademco 1 GmbH
 Hardhofweg 40
 74821 MOSBACH
 GERMANY
 Phone: +49 6261 810
 Fax: +49 6261 81309

Manufactured for and on behalf of the
 Pittway Sàrl, La Pièce 4, 1180 Rolle, Switzerland
 by its Authorised Representative Ademco 1 GmbH
 EN0H-1127GE23 R0719
 Subject to change
 © 2019 Resideo Technologies, Inc.
 The Honeywell Home trademark is used under
 license from Honeywell International Inc.

