

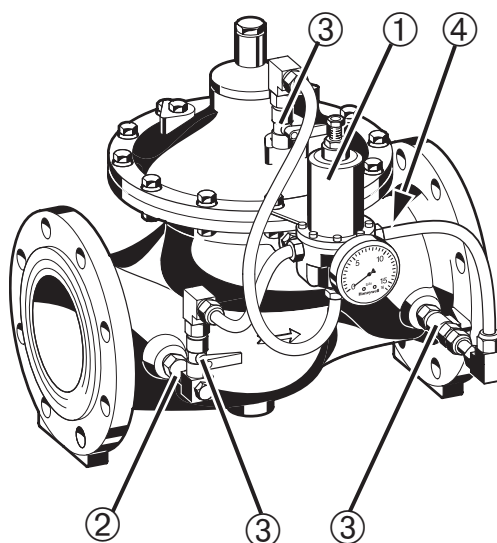
DH300

Einbau-Anleitung • Installation Instructions
Instructions de montage • Istruzioni di montaggio

E1

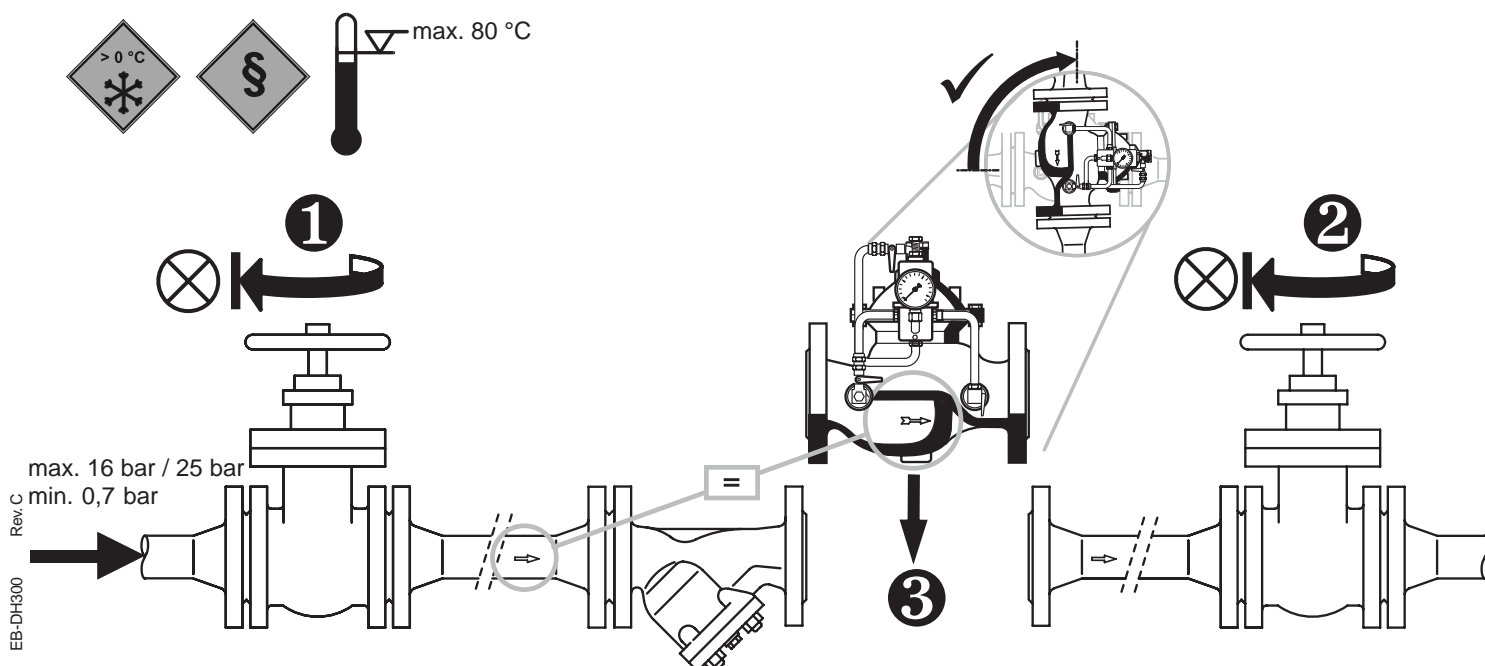
Bauteile • Components • Pièces • Componenti

- ①= Pilotventil
Pilot valve
Vanne pilote
Valvola pilota
- ②= Filtereinsatz
Filter insert
Garniture de filtration
Insero filtro
- ③= Absperr-Kugelhahn
Manual ball valve
Clapet à bille
Valvola di intercettazione a sfera
- ④= Regulierventil
Control valve
Valve de régulation
Valvola di regolazione



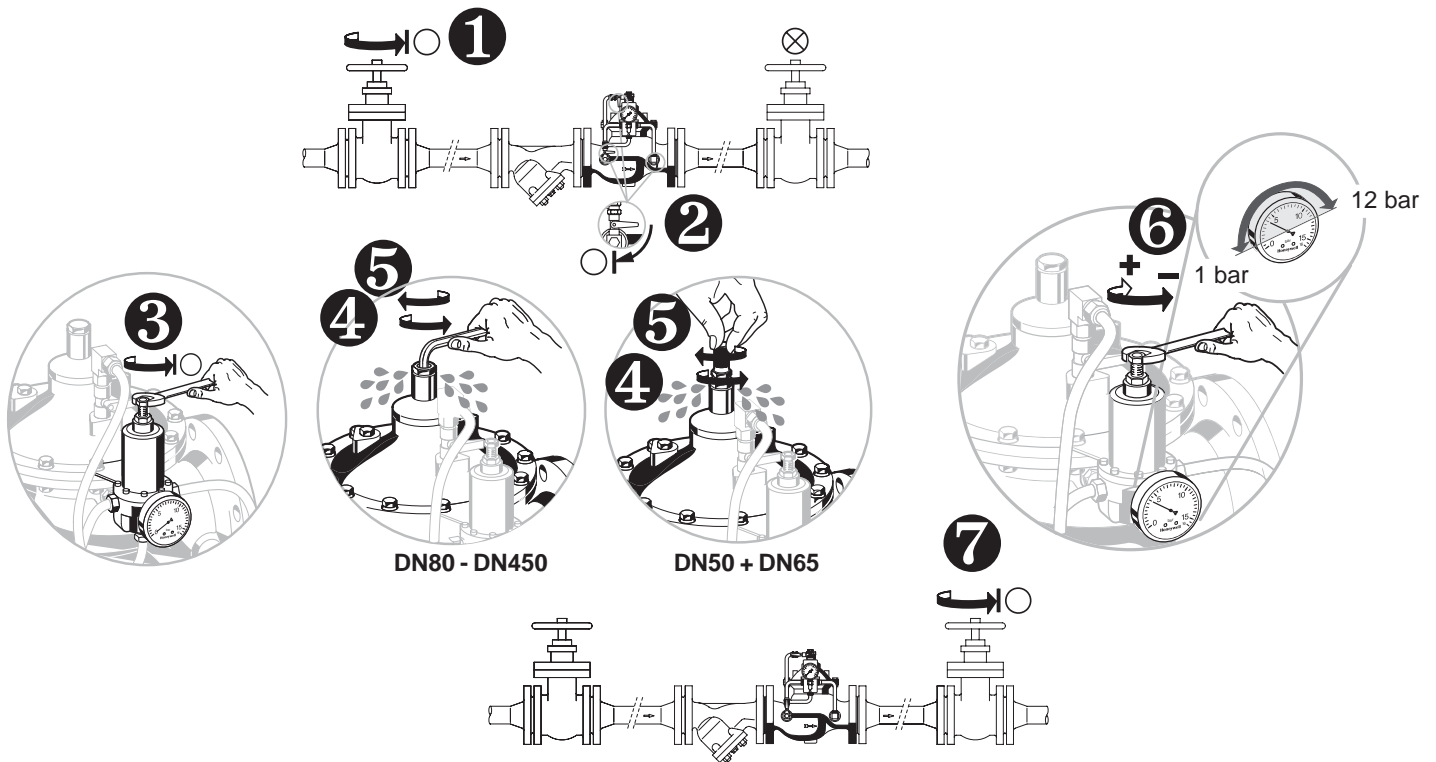
E2

Einbau • Installation • Installation • Installazione



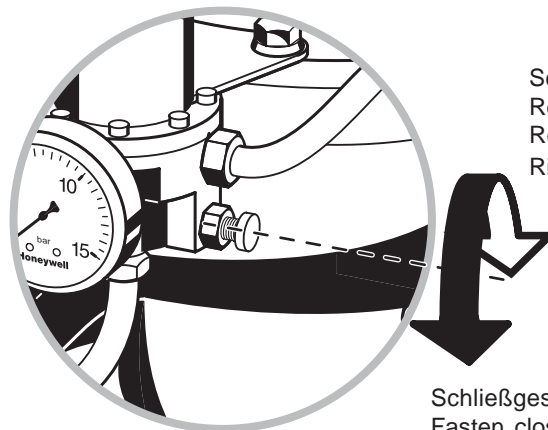
E3

*Inbetriebnahme • Commissioning • Mise en service
Messa in servizio*



E4

*Schließgeschwindigkeit einstellen • Closure pace
adjustment • Réglage de la vitesse de fermeture
Regolazione della velocità di chiusura*



Schließgeschwindigkeit verkleinern
Reduce closure pace
Réduire la vitesse de fermeture
Riduzione della velocità di chiusura

Schließgeschwindigkeit vergrößern
Fasten closure pace
Augmenter la vitesse de fermeture
Aumento della velocità di chiusura

Automation and Control Solutions

Honeywell GmbH
Hardhofweg
74821 MOSBACH
GERMANY
Phone: (49) 6261 810
Fax: (49) 6261 81309
www.honeywell.com

Manufactured for and on behalf of the Environmental
and Combustion Controls Division of Honeywell
Technologies Sàrl, Rolle, Z.A. La Pièce 16, Switzerland
by its Authorised Representative Honeywell GmbH

MU1H-1331GE23 R0212
Subject to change without notice
© 2012 Honeywell GmbH

Honeywell