

RDAS35...

Damper actuator, 35 Nm



Damper actuator without spring return, 35 Nm. For 3-point or 0...10 V control signal.

- ✓ Torque 35 Nm
- ✓ For dampers up to 6m²
- ✓ 24 V and 230 V supply voltage
- ✓ 3-point or 0(2)-10 V control
- ✓ Manual override

Application

The actuators are used in ventilation and air conditioning plants to operate air dampers and air throttles. The actuators can be used for damper areas up to 4m² and are friction-dependent

The damper actuators are suitable for modulating controllers (DC 0...10 V) or 3-point controllers, e.g. for outside air dampers.

Function

The damper actuators have type-specific variations with adjustable offset and span for the positioning signal. The position indication is mechanical and electrical. The rotational angle range is self-adaptive and the auxiliary switches for supplementary functions are adjustable.

Installation

The actuator is mounted on a mounting bracket. Choose the position carefully, for easy access cables and setting

elements. To double the torque, mount two actuators on the same damper, i.e. tandem-mounting.

For mounting, turn the actuator by 180° depending on the necessary rotary direction.

The mounting bracket (see dimensions) is required for mounting on the damper shaft. The insertion depth for the bolt into the housing must be sufficient and guaranteed.

The shaft adapter and all other individual parts are not premounted, as the actuator components are put together differently depending on either clockwise or counterclockwise rotation of the damper shaft and damper shaft length.

HEAD OFFICE SWEDEN

Phone: +46 31 720 02 00

Web: www.regincontrols.com

E-mail: info@regincontrols.com

RDAS35...

— | —

Technical data

Mounting	Mounting bracket, interior, weather protected
Torque	35 Nm
Max. damper size	6.0 m ²
Running time, actuator	125 s/90°
Damper shaft, round	8...25.6 mm
Damper shaft, square	6...18 mm
Damper shaft, min. shaft length	20 mm
Damper shaft, hardness	<300 HV
Working angle, rotation	90°
Angle limitation	95°
Sound power level	43 dB
Cable length	0,9 m (Maximum extension 300 m)
Cable	0,75 mm ²
Ambient humidity	0...95% RH (non-condensing)
Ambient temperature	-32...55 °C
Storage temperature	-32...70 °C
Protection class	IP54



This product carries the CE-mark. More information is available at www.regincontrols.com.

All models

Article	Supply voltage	Power consumption	Control signal
RDAS35-230	230 V ~ (100...240 V ~ 50/60 Hz)	5 VA (5W)	3-point
RDAS35-24	24 V AC/DC (20...28 V AC 50/60 Hz / 24...48 V DC)	5 VA (5W)	3-point
RDAS35-24A	24 V AC/DC (20...28 V AC 50/60 Hz / 24...48 V DC)	5 VA (5W)	0...10 V

Accessories

Article	Description
ASK71.9	Damper crank arm for RDAS with torque 5-35Nm
ASC77.1E	External aux. switch (1) for RDAS with torque 7Nm, 18Nm, 20Nm and 35Nm
ASC77.2E	External aux. switch (2) for RDAS with torque 7Nm, 18Nm, 20Nm and 35Nm
ASK74.7	Shaft extension for RDAS with torque 7-35Nm

HEAD OFFICE SWEDEN

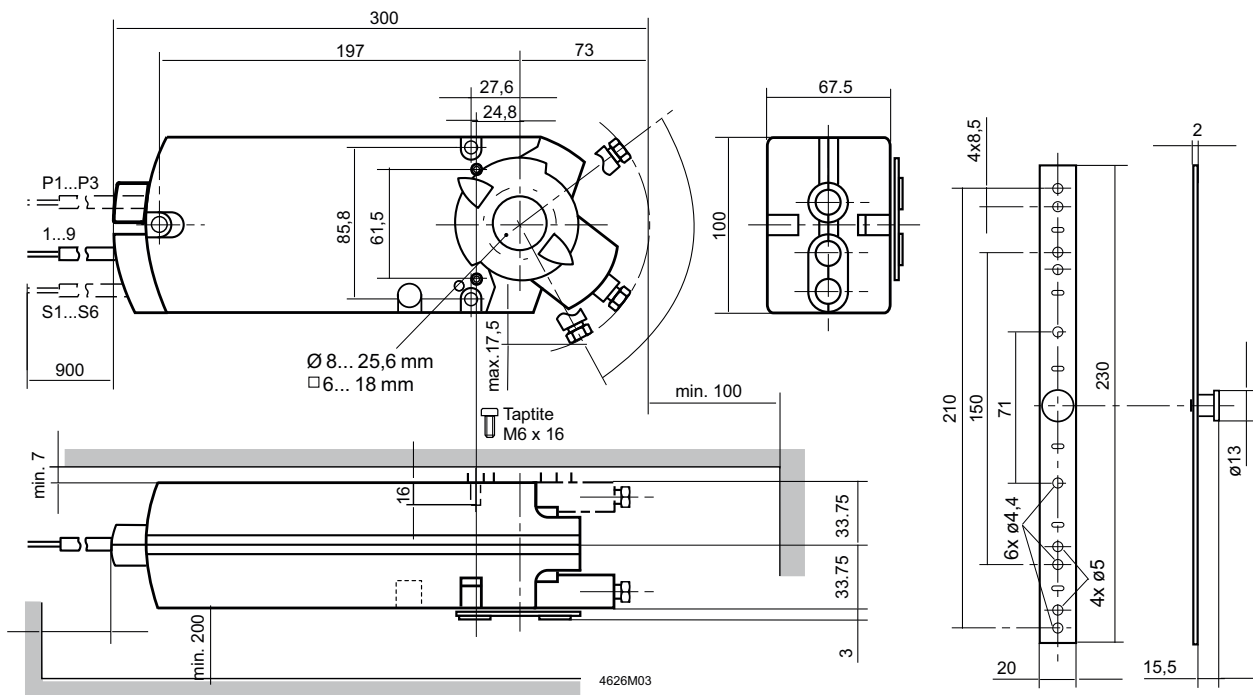
Phone: +46 31 720 02 00

Web: www.regincontrols.com

E-mail: info@regincontrols.com

RDAS35...

Dimensions



[mm]

Wiring

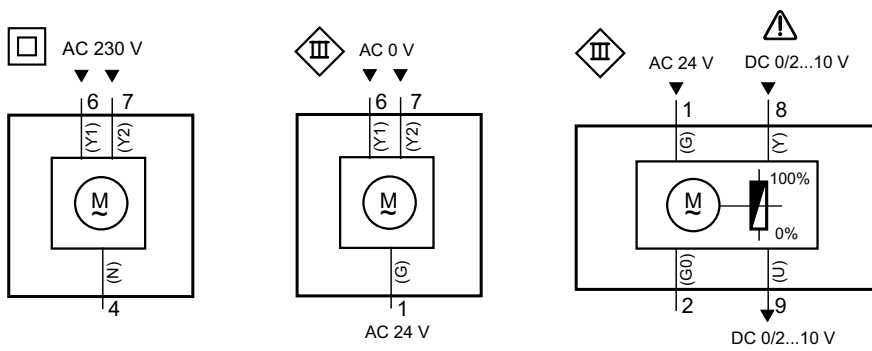
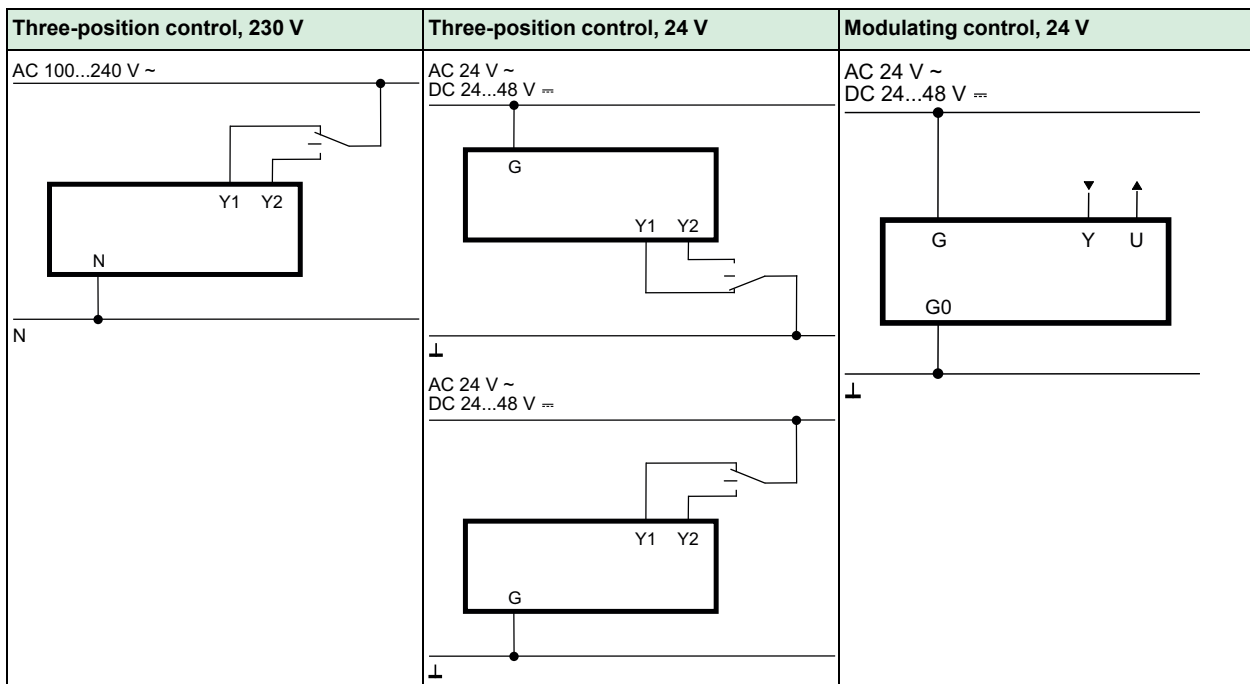


Fig. 1 230 V, 3-point (left); 24 V, 3-point (middle); 0-10 V, 3-point (right)

Extended wiring



Cable labelling

Connection	Code	No.	Color	Abbreviation	Description
Actuators AC 100...240 V ~	N	4	blue	BU	Neutral conductor
	Y1	6	black	BK	Positioning signal AC/DC 100...240 V "clockwise"
	Y2	7	white	WH	Positioning signal AC/DC 100...240 V "counter clockwise"
Actuators AC 24 V ~ DC 24...48 V	G	1	red	RD	System potential AC 24V /DC 24...48 V
	G0	2	black	BK	System neutral
	Y1	6	purple	VT	Positioning signal AC/DC 0 V "clockwise"
	Y2	7	orange	OG	Positioning signal AC/DC 0 V "counter clockwise"
	Y	8	grey	GY	Signal in
	U	9	pink	PK	Signal out

Documentation

All documentation can be downloaded from www.regincontrols.com.