



## PULSER-ADD

Slave-controlled add-on unit for electric heating controller, single phase or two phase

***PULSER-ADD is a slave-controlled electric heating controller for controlling electric heating batteries, electric radiators etc. The controller is slave-controlled via another PULSER.***

- ✓ Supplementary unit for slave control from another PULSER.
- ✓ For loads up to 3.6 kW (230 V) or 6.4 kW (400 V).
- ✓ Automatic adaptation to connected supply voltage, single phase or two phase 200...415 V.
- ✓ Several PULSER-ADD can be slave controlled by the same main unit.

PULSER- ADD is an electric heating controller (triac control) for single phase or two phase (200...415 V) electric heating.

It is intended primarily for wall mounting and is connected in series between power supply and an electric heater, for example an electric heating battery or electric panel. PULSER-ADD is a supplementary unit which is used when the load of the electric heating battery exceeds the capacity of the PULSER. The control input of the PULSER-ADD must be connected to the control output of another PULSER.

If required several PULSER-ADD units can be controlled by the same main PULSER unit.

PULSER-ADD controls the electric load synchronically with the output load from the main unit.

gives 50 % output power. The cycle-time (the sum of on - time and off -time) is fixed approx 60 s.

This control accuracy contributes to reduced energy costs and to the increased comfort of an even temperature. Since the current is switched by a semiconductor (triac) there are no moving parts that can wear out. The current is switched at zero phase angle, to eliminate network disturbance.

### Function

The controller pulses the entire power output ON/OFF. The controller utilises time-proportional control, the ratio between On-time and Off-time is varied to fit the prevailing heating requirement e.g. ON = 30 s and OFF = 30 s

## Technical data

<b>Supply voltage</b>	200...415 V AC, 50...60 Hz, single or two phase. Automatic adaption.
<b>Power output</b>	Maximum 16A, minimum 1A
<b>Ambient temperature</b>	Maximum 30°C with no condensation. N.B. Pulser generates 20 W.
<b>Storage temperature</b>	-40...+50°C.
<b>Ambient humidity</b>	90 % RH maximum.
<b>Protection class</b>	IP20
<b>Indicator</b>	Red LED, visible through bottom of unit and lit when power is pulsed to the heater.
<b>Colour</b>	Signal white RAL 9003

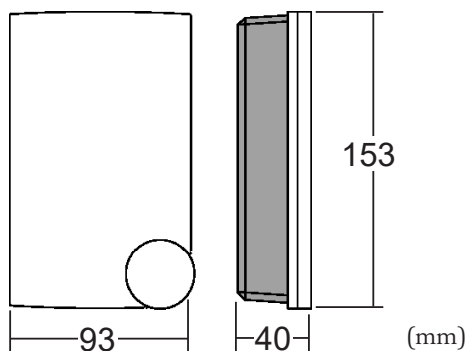
## CE

This product carries the CE-mark. More information is available at [www.regincontrols.com](http://www.regincontrols.com).

## Inputs

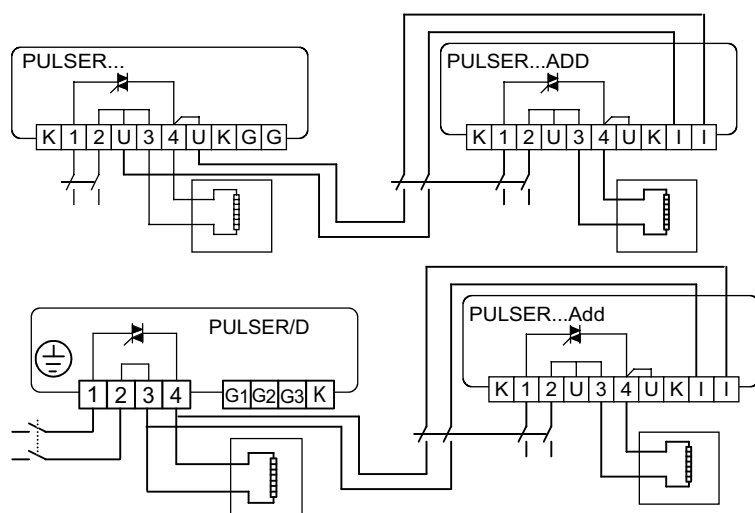
<b>Control signal</b>	For control signal 210...415 V AC. Galvanically separated from the PULSER-ADD supply voltage. PULSER-ADD will be on when the input signal is higher than 200 V
-----------------------	--

## Dimensions

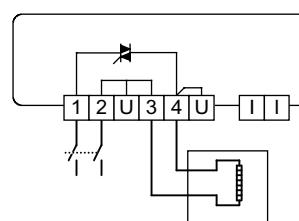


## Wiring

### Wiring of control signal

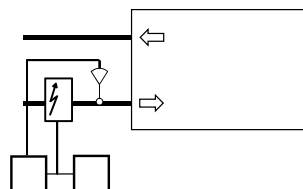


### Supply voltage and load



## Application example

With loads larger than 3500 W (230 V AC) or 6000 W (400 V AC) a PULSER ADD unit can increase the Controlling capacity of a standard PULSER unit. Several ADD units can be connected but each controller must control an individual heater section.



## Product documentation

The product documentation can be downloaded from [www.regincontrols.com](http://www.regincontrols.com).