

HTRC10(-D)

Humidity and temperature transmitters
for Modbus communications



A range of room transmitters for measuring humidity and temperature in indoor environments.

- ✓ Output signal Modbus
- ✓ Humidity, 10...90 % RH
- ✓ Temperature, 0...50°C
- ✓ Good long-term stability
- ✓ Modbus communication

Function

Transmitters intended for wall mounting in HVAC systems.

Temperature sensors

The unit has a built-in temperature sensor, working range 0...50°C.

Relative humidity

The transmitters have a capacitive thin-film element that provides a signal proportional to the relative humidity. The measuring element responds quickly to changes in humidity and has excellent long-term stability.

Supply voltage

The transmitter uses a supply voltage of 24 V AC $\pm 10\%$ or 15...35 V DC. It automatically detects and adapts to the supply voltage connected.

Display (-D models)

Display models have an LCD display showing temperature and humidity in an alternating series.

Communication via Modbus

The transmitters communicate via Modbus and are to be integrated into a network.



Technical data

Output signal	Modbus
Supply voltage (UV)	24 V AC $\pm 10\%$ or 15...35 V DC
Power consumption	< 1 W
Transformer power	2 VA
Electrical connection	Screw terminals max. 1.5 mm ² (AWG 16)
Storage temperature	-25...+60°C
Operating temperature	0...50°C
Ambient humidity	10...90 % RH non-condensing
Protection class	IP30
Dimensions (WxHxD)	85 x 100 x 30.5 mm
Colour	Signal white RAL 9003

Technical data, humidity sensor

Humidity sensor	Capacitive
Working range	10...90 % RH
Accuracy at 20°C	$\pm 2\%$ RH

Technical data, temperature sensor

Working range	0...50°C
Accuracy at 20°C	$\pm 0.2^\circ\text{C}$

Technical data, communication

Type	Modbus RTU
Baud rate	4800, 9600, 19200, 38400 bits/s
Factory settings	
Baud rate	19200 bits/s
Parity	Even
Address of unit	1

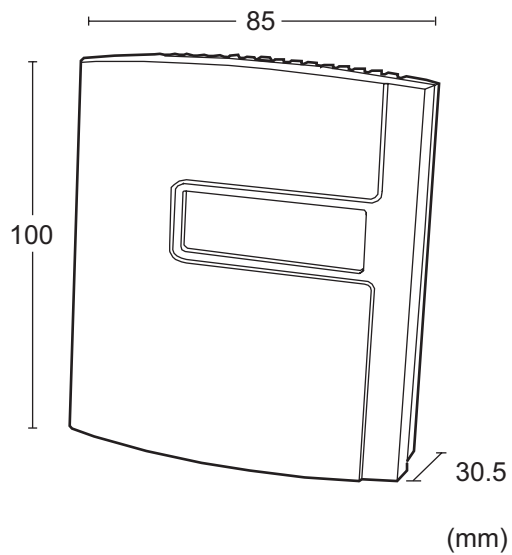
Models

Article	Description
HTRC10	Humidity and temperature transmitter for Modbus communication
HTRC10-D	Humidity and temperature transmitter for Modbus communication with display

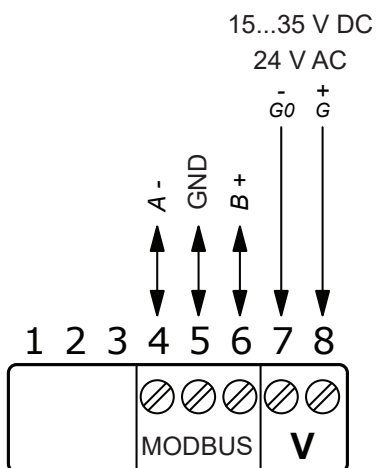
CE

This product carries the CE-mark. More information is available at www.regincontrols.com.

Dimensions



Wiring



Product documentation

The product documentation can be downloaded from www.regincontrols.com