

# DPTW, DPTF

Positioner 0...100%



Positioner 0...100 % for modulating actuators (0...10 V), for wall or panel mounting.

- ✓ 24V AC/DC
- ✓ 0-10V DC or 2-10V DC output
- ✓ Override signal
- ✓ Wall mounted (DPTW) or front panel mounted (DPTF)

## Application

Positioner designed as wall (DPTW) or panel (DPTF) mounting accessory for actuators.

knob position from 0 to 100%. An analog input signal allows the use of the positioner with a regulator (override function). The maximum voltage between the voltage supplied by the positioner and the voltage supplied by the regulator, connected to the override control input, is sent to the actuator.

## Function

The positioner supply a position signal to modulating control damper actuators, proportionally according to the



This product carries the CE-mark. More information is available at [www.regincontrols.com](http://www.regincontrols.com).

## Models

Article	Output signal	Control signal	Mounting
DPTW	0(2)...10 V DC ( $R_{load} > 6K\Omega$ )	0(2)...10 V DC	Wall
DPTF	0(2)...10 V DC ( $R_{load} > 6K\Omega$ )	0(2)...10 V DC	Panel

## HEAD OFFICE SWEDEN

Phone: +46 31 720 02 00

Web: [www.regincontrols.com](http://www.regincontrols.com)

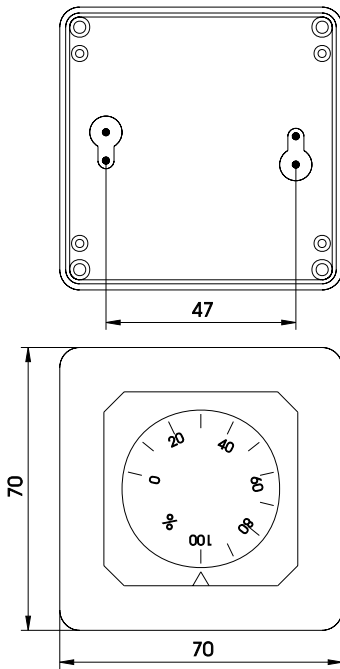
E-mail: [info@regincontrols.com](mailto:info@regincontrols.com)

DPTW, DPTF

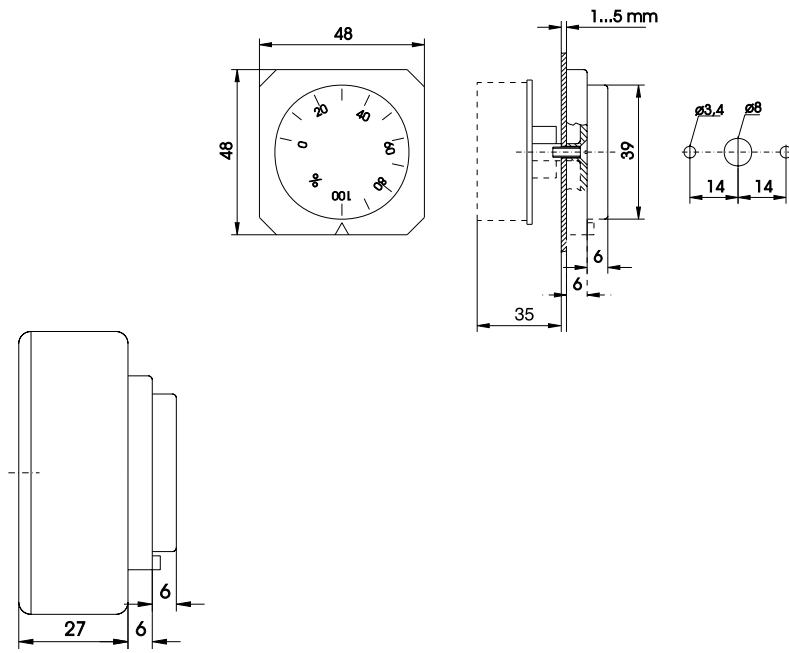
— | —

## Dimensions

DPTW



DPTF



[mm]

## Wiring

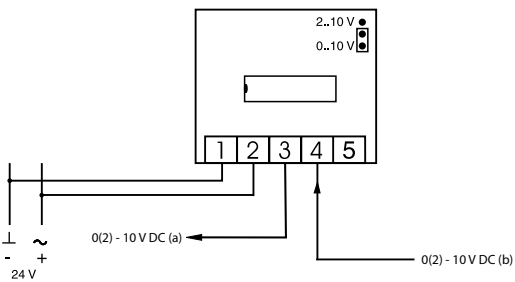


Fig. 1 (a) for up to 10 actuators (tol. < 10%), (b) Override control

## Documentation

All documentation can be downloaded from [www.regincontrols.com](http://www.regincontrols.com).