

# IMMERSION ADJUSTABLE THERMOSTAT

## SERIES TIA100

ESBE TIA100 is an ON/OFF thermostat with immersion pocket intended for automatic temperature control in heating devices.



TIA122

### OPERATION

The ESBE TIA100 is a ON/OFF thermostat, consisting of temperature probe connected to a switch. The switch can be used to control ON/OFF, based on the temperature measurement, any electrical device e.g. pump, boiler, etc.

### FUNCTION

The thermostat has a temperature setting via knob in a range 0°C - 90°C. According to the temperature setting the TIA100 can control e.g. boiler in ON/OFF working principle. The temperature is measured via the sensor and when the set temperature is reached the switch is released and the device which is connected to the TIA100 is turned off.

### MOUNTING

The TIA100 can be mounted directly on any device which has a place for the immersion pocket and sensor.

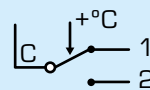
### TECHNICAL DATA

Contacts rating: \_\_\_\_\_ [C-1] 10(2,5)A NC/250V~  
 \_\_\_\_\_ [C-2] 6(2,5)A NC/250V~  
 Enclosure rating: \_\_\_\_\_ IP40  
 Control range: \_\_\_\_\_ 0 ± 5°C - 90 ± 3°C  
 Maximum ambient temperature: \_\_\_\_\_ 80°C  
 Maximum bulb temperature: \_\_\_\_\_ 125°C  
 Temperature differential: \_\_\_\_\_ ΔT 4 ± 1K

Material  
 Cover: \_\_\_\_\_ Plastic  
 Sensor: \_\_\_\_\_ Copper

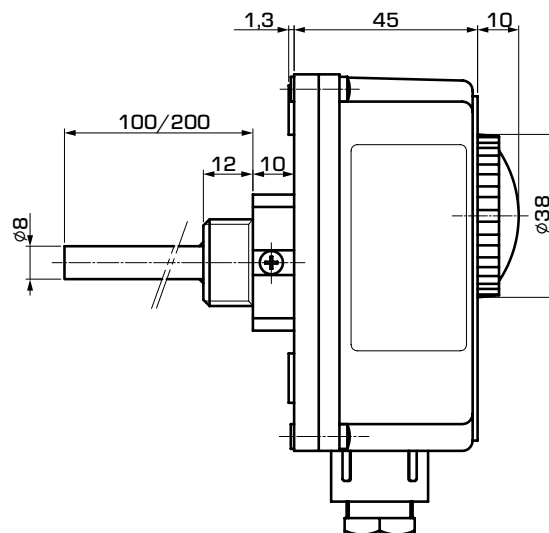
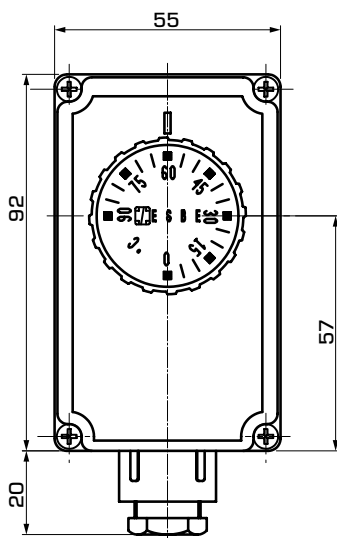
CE LVD 2014/35/EU  
 RoHS 2011/65/EU  
 PED 2014/68/EU, Annex III - Module H1

### WIRING



#### Connections

Terminal 1 = opens the circuit when temperature raises  
 Terminal 2 = closes the circuit when temperature raises  
 Terminal C = common contact



### SERIES TIA100

Art. No.	Reference	Immersion sleeve [mm]	Connection	Weight [kg]	Note
86901100	TIA122	100	G 1/2"	0,23	
86901200		200		0,25	