

ESBE SYSTEM UNITS

CIRCULATION UNIT

2-way valve function



GB

CIRCULATION UNIT 2-3
2-way valve function

SE

SHUNTGRUPP 4-5
Funktion 2-vägs ventil



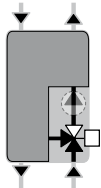
ESBE SYSTEM UNITS

CIRCULATION UNIT

2-way valve function

PAGE	CONTENT
2	General safety, Installation example
3	Mounting



SERIES	FUNCTION
ESBE GRA100 GRC100 GRC200	 <p>Mixing function With Rotary mixingvalve VRG ready and mounted on the Circulation unit.</p>

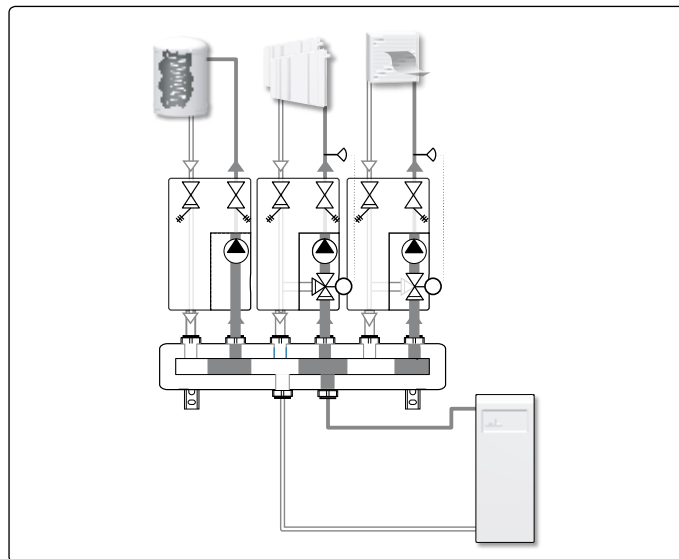
1 i GENERAL/SAFETY

LVD 2014/35/EU
EMC 2014/30/EU
RoHS 2011/65/EU
PED 2014/68/EU, article 4.3
Max. operating pressure: PN 6

This instruction manual is an essential component of the product. Read the instructions and the warnings carefully as they contain important information about a safe installation, usage and maintenance.

This product can be used only for the circulation of water and water/glycol in heating or cooling installations.

i INSTALLATION EXAMPLE



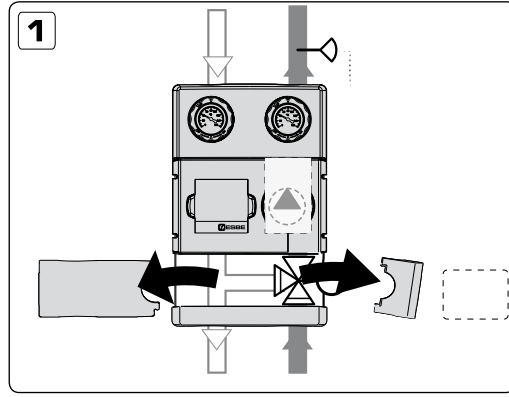
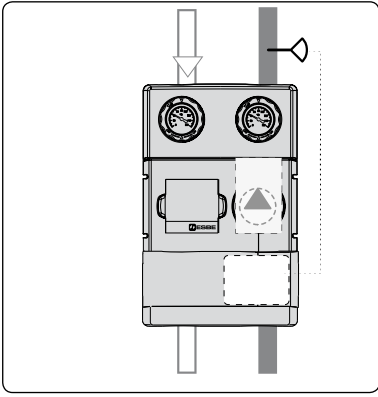
All piping schematics are general representations

The producer won't be responsible for damages caused by wrong usage or unrespect of the instructions given in this manual.

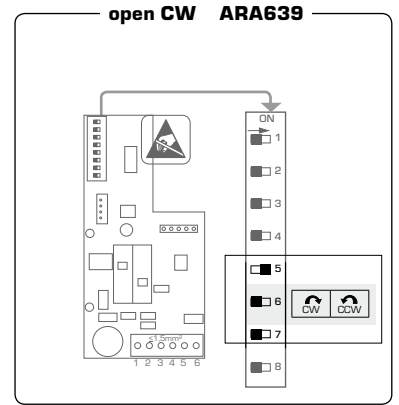
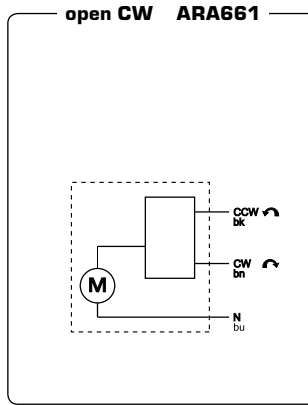
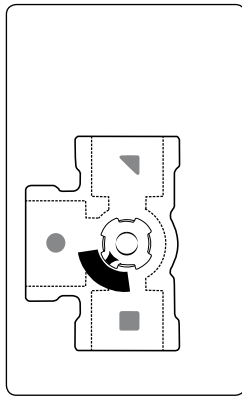
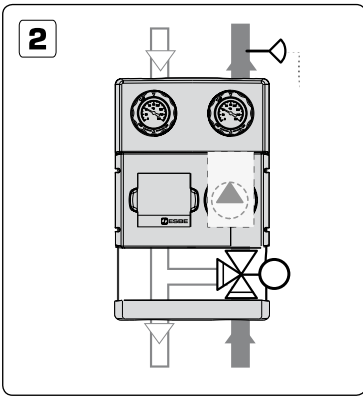
The mounting of the unit must be performed by a qualified professional and in compliance with local/regional laws. This manual refers to standard products. Different versions or functions are available.

At mounting - pay attention and follow common practice and general safety norms for the use of machineries, pressurized equipment and at high temperatures.

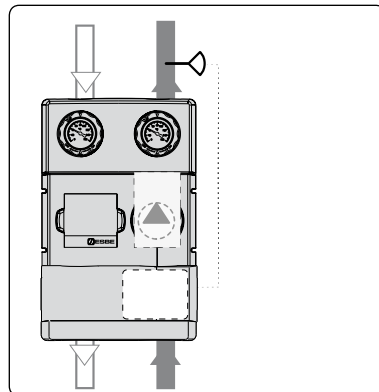
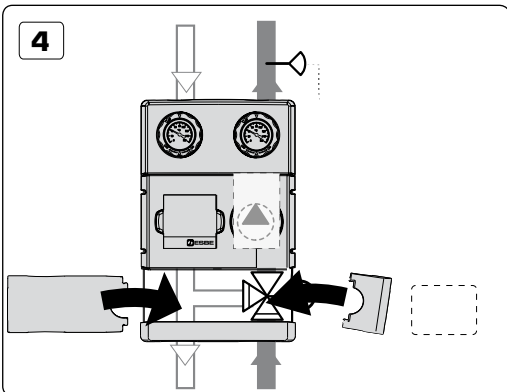
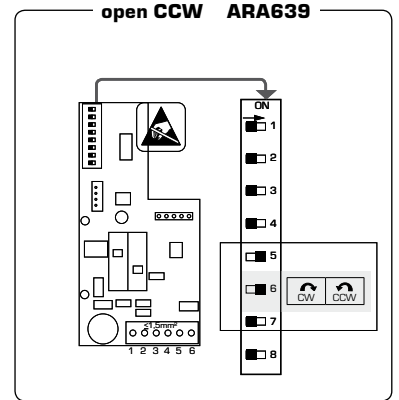
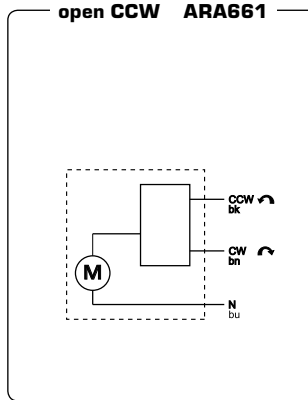
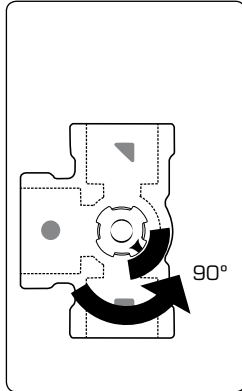
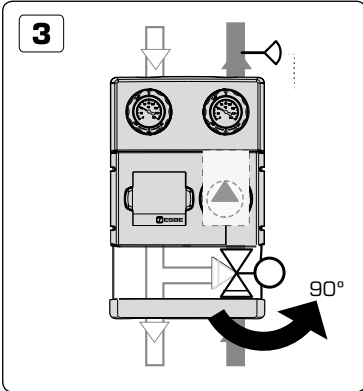
2  **MOUNTING**



NORMAL MOUNTING CONDITIONS/3-WAY VALVE SETTING



2-WAY VALVE WITH BY-PASS SETTING





www.esbe.eu



NO.1 IN HYDRONIC SYSTEM CONTROL

Mtrl.nr: 9814 xx xx • Ritn.nr: xxxx utg. B • Rev. 1703

