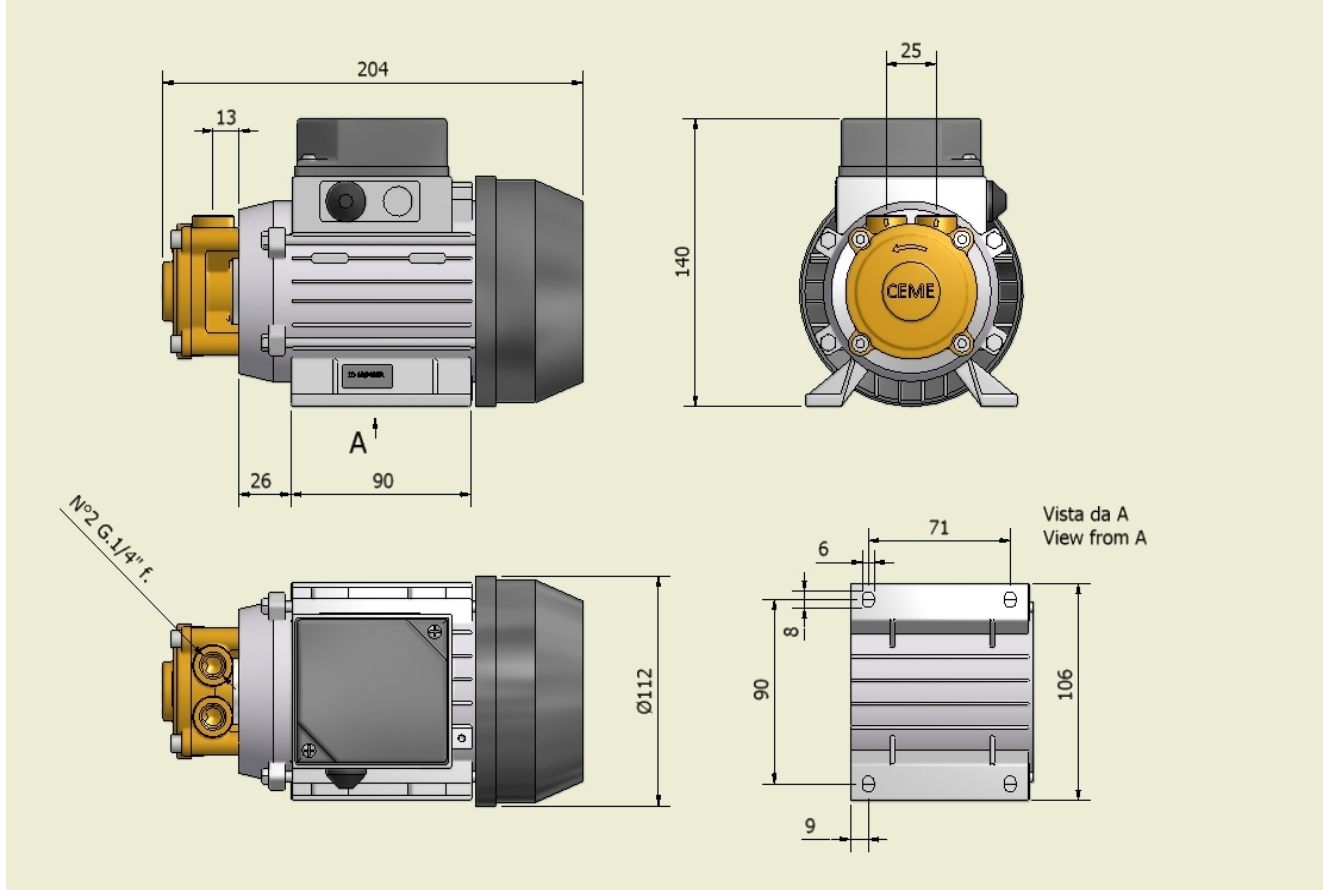


Family pump MTP600

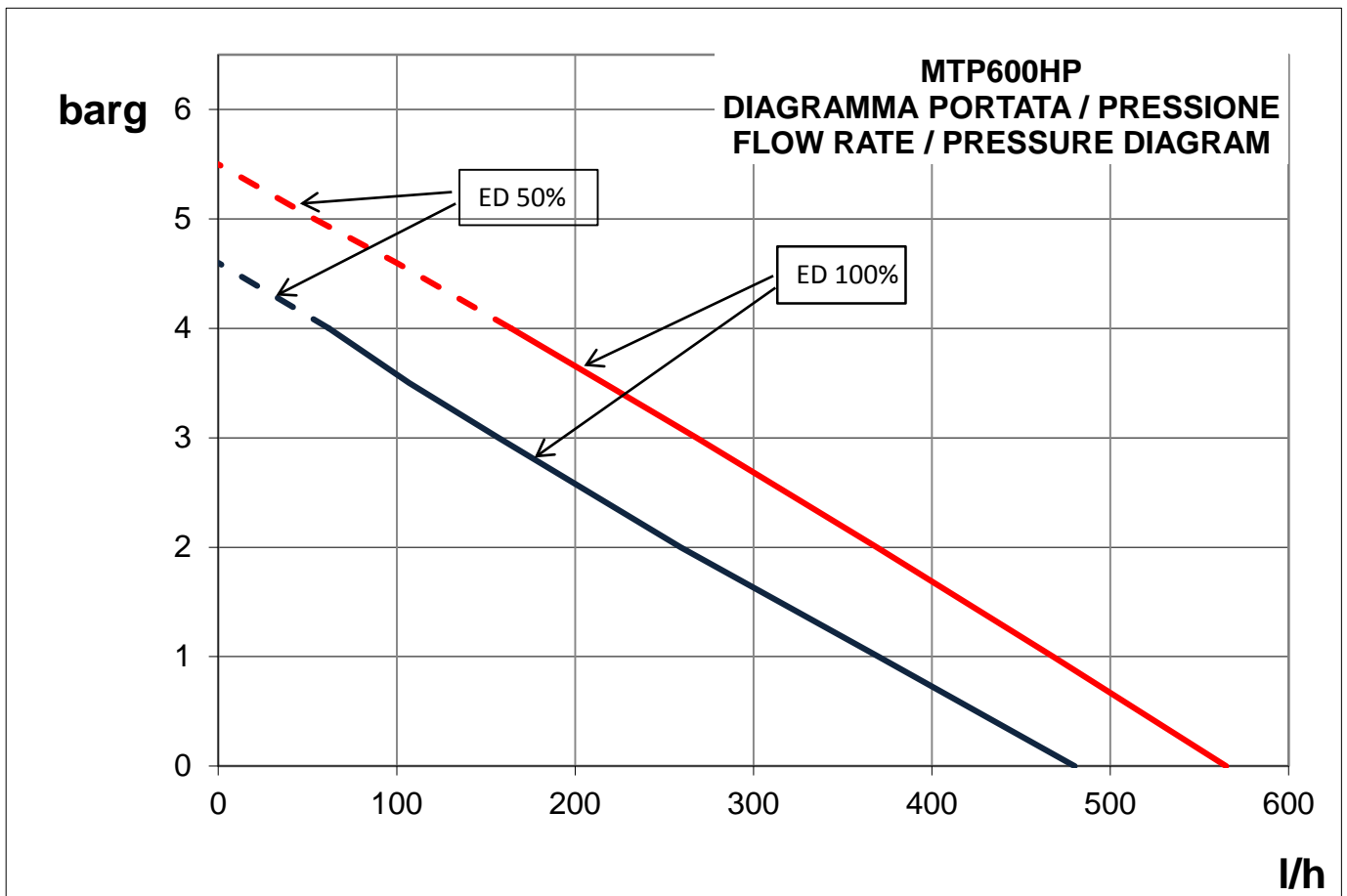


- Peripheral Pump
- Electrical insulation, F/B
- ED 100%
- Thermal protection 140°C

Peripheral pump suitable for use with water and low corrosion/abrasion fluids. Ideal for cooling circuits for welding machine	Technical data			
	Body material	Brass		
	Seal material	EPDM / CERAMIC / GRAPHITE		
	Shaft material	Stainless steel		
	Electrical connect	cable		
	Insulation class	F/B		
	Power Supply	230V / 1 / 50Hz	120V / 1 / 60Hz	400V / 1 / 50Hz
	Max. Absorbed Current	1,15 A	2,3 A	0,65 A
	Approvals	CE	CE	CE
	Ambient temperature	45 °C		
Fluid temperature	80 °C			
Suction	Non Self Priming			
Hydraulic connection Inlet / Outlet				
Standard G. 1/4 Female / G. 1/4 Female	Barb From Ø6 to Ø11	Nipples G. 1/4 Male / G. 1/4 Male		



Pump model MTP600HP		
Hz	P [barg]	Flow Rate [L/h]
50	0	480
50	2	280
50	4	50
60	0	570
60	2	375
60	4	170



Hydraulic characteristics obtained with waters at 20° C at pump nominal speed. Working tolerance on Hydraulic and Electrical characteristics is $\pm 10\%$.