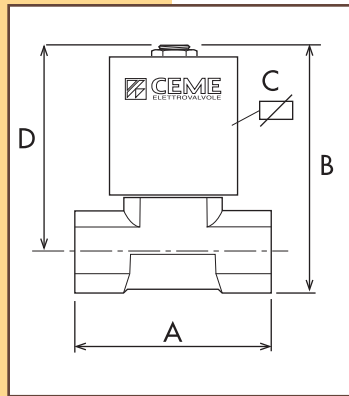
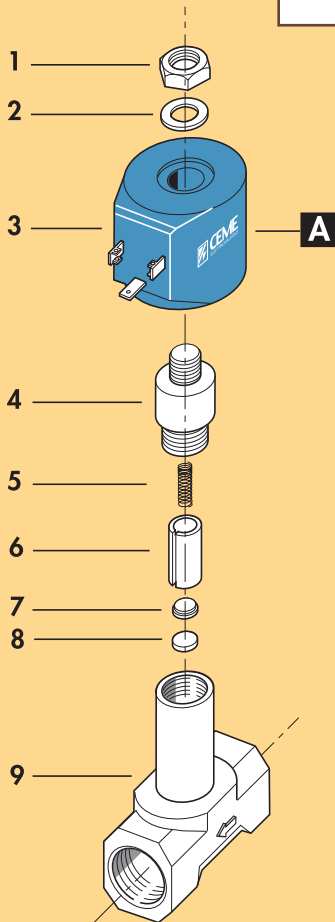


CARATTERISTICHE SPECIFICATIONS



ATTACCHI PIPES in → out	Ø mm	CODICE CODE	KV m ³ /h	M.O.P.D. bar		DIMENSIONI/DIMENSIONS mm				PESO/WEIGHT Kg
				AC	DC	A	B	C	D	
1/2 NPT	3,5	9309	0.30	15	7	56	76	60	63	0.435
G 1/4	2,8	9312	0.23	20	10	42	69	60	60	0.350
G 1/4	3,5	9312	0.27	15	7	42	69	60	60	0.350
G 3/8	2,8	9313	0.23	20	10	47	73	60	62	0.380
G 3/8	3,5	9313	0.30	15	7	47	73	60	62	0.380
G 3/8	5,0	9313	0.48	5	3	47	73	60	62	0.380
G 1/2	2,8	9314	0.23	20	10	56	76	60	63	0.435
G 1/2	3,5	9314	0.30	15	7	56	76	60	63	0.435
G 1/2	5,0	9314	0.48	5	3	56	76	60	63	0.435



CARATTERISTICHE ELETTRICHE ELECTRICAL INFORMATION

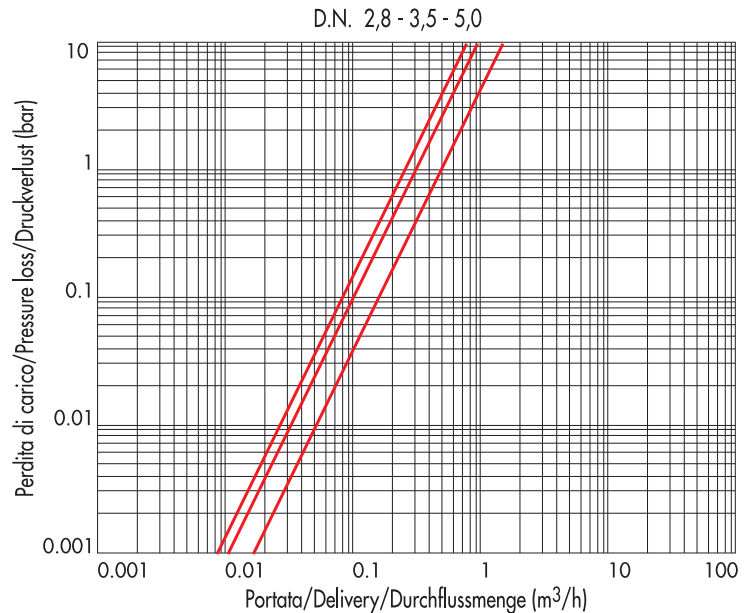
V~	12	24	48	110	230	400	POTENZA/POWER				
							NOMINALE HOLDING	SPUNTO IN RUSH			
							50	60	Hz	27VA	38VA
V=	12	24	48	110						14W	

Per dettagli costruttivi sulle bobine vedi capitolo "INFORMAZIONI DI PROGETTO"
For construction details of the coils see chapter "PROJECT INFORMATION"
Ausführliche Daten über die Ventilspulen finden Sie unter Abschnitt "TECHNISCHE
INFORMATIONEN"

MAX TEMPERATURA MAX TEMPERATURE

FLUIDI/FLUIDS			AMBIENTE/AMBIENT
EPDM	EPDM-KTW	FPM	80°C
155°C	130°C	150°C	

DIAGRAMMA PERDITA DI CARICO PRESSURE LOSS DIAGRAM



1 Dado	Lock nut	Mutter
2 Rondella	Washer	Beilagscheibe
3 Bobina	Coil	Magnetspule
4 Nucleo fisso	Tube top	Kern
5 Molla	Spring	Feder
6 Nucleo mobile	Plunger	Plunger
7 Piattello	Support	Scheibe
8 Pastiglia	Seal	Dichtung
9 Corpo	Valve body base	Grundkörper
RICAMBI	SPARE PARTS	ERSATZTEILE
A Bobina	Coil	Magnetspule



ELETTROVALVOLA AZIONE DIRETTA 2/2 VIE N.C.
SOLENOID VALVE DIRECT ACTING 2/2 WAY N.C.
DIREKTGESTEUERTES MAGNETVENTIL 2/2 WEGE S.G.



I

CARATTERISTICHE GENERALI

PRESSIONE MINIMA DI FUNZIONAMENTO 0 bar

PARTI A CONTATTO CON IL FLUIDO

TENUTA EPDM - FPM - EPDM-KTW
CORPO OTTONE CON SEDE DI TENUTA INOX (esclusa la sede Ø 5).
ORGANI INTERNI ACCIAIO INOX

FLUIDI ACQUA - ARIA - GAS - VAPORE - GASOLIO - NAFTA

VALVOLA UNIDIREZIONALE

VALVOLA NON ISPEZIONABILE

VALVOLA FORNITA CON CONNETTORE TRIPOLARE UNI ISO 4400 (DIN 43650A)-IP65.

POSIZIONE DI MONTAGGIO Qualsiasi; sconsigliata quella con bobina rivolta verso il basso.

TEMPERATURA AMBIENTE 80°C, in D.C. per temperature superiori a 40°C, le performance (M.O.P.D.) potrebbero diminuire.

ACCESSORI - FILTRO MECCANICO IN INGRESSO (9314).

UK

GENERAL FEATURES

MINIMUM WORKING PRESSURE 0 bar

PARTS IN CONTACT WITH THE FLUID

SEALING EPDM - FPM - EPDM-KTW
BODY BRASS WITH SEALING SEAT IN STAINLESS STEEL (except for valve Ø 5).
INTERNAL PARTS STAINLESS STEEL

FLUIDS WATER - AIR- GAS - STEAM - DIESEL OIL - NAFTA

ONE WAY DIRECTION VALVE

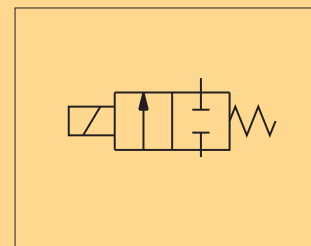
NON-SERVICEABLE VALVE

VALVE SUPPLIED WITH THREE POLE PLUG CONNECTOR UNI ISO 4400 (DIN 43650A)-IP65.

MOUNTING POSITION Any, the position with the coil downwards is not recommended.

AMBIENT TEMPERATURE 80°C, in D.C. for temperatures higher than 40°C, the performances (M.O.P.D.) could decrease.

ACCESSORIES - MECHANICAL FILTER ON THE INLET SIDE (9314).



D

ALLGEMEINE MERKMALE

MINIMALER ARBEITSDRUCK 0 bar

MEDIUMS BERUEHRTE ELEMENTE

DICHTUNG EPDM - FPM - EPDM-KTW
KOERPER MESSING MIT VENTILSITZ AUS EDELSTAHL (ausser fuer Ventil Ø 5).
INNERE ELEMENTE EDELSTAHL

MEDIEN WASSER - LUFT - GAS - DAMPF - DIESEL OEL - NAFTA

UNIDIREKTIONALES VENTIL

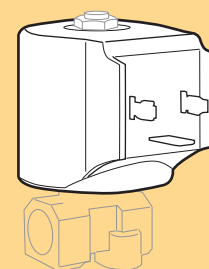
VENTIL WARTUNGSFREI

LIEFERUMFANG DREIPOLIGER STECKER UNI ISO 4400 (DIN 43650A) -IP65.

MONTAGEPOSITION Keine Einschränkungen. Fuer Montage mit dem Spulenkopf senkrecht nach unten, auf Anfrage.

UMGEBUNGSTEMPERATUR 80°C, im D.C. Betrieb koennen Temperaturen ueber 40°C, die Schaltkraefte (M.O.P.D.) des Ventils beeintraechtigen.

ZUBEHOER - MECHANISCHER FEINFILTER AN DER EINGANGSSEITE (9314).



BOBINA TIPO B12
COIL TYPE B12
SPULE TYP B12