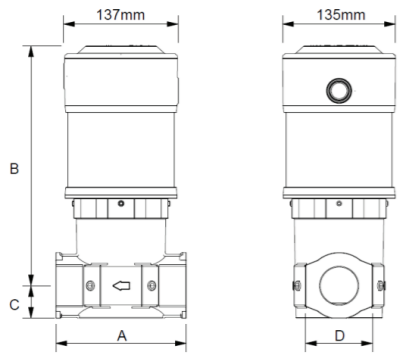
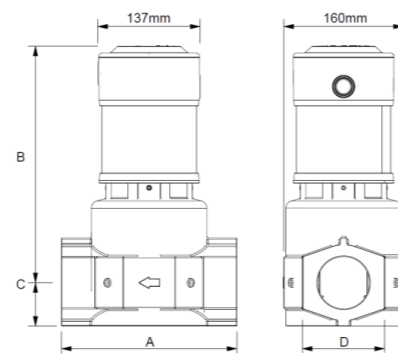


Powerseat® Eco Specification

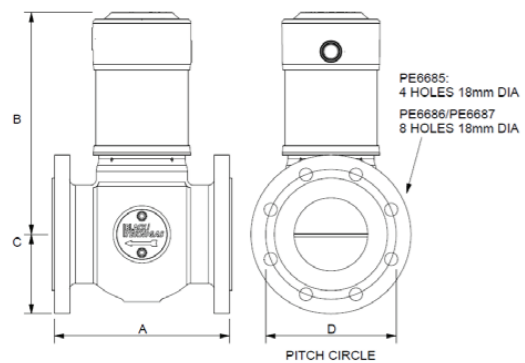
PE6683, PE6684



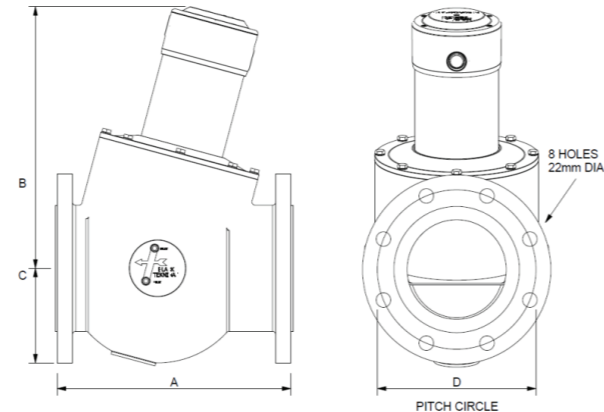
PE6685, PE6686



PE6685FL4, PE6686FL4, PE6687FL4

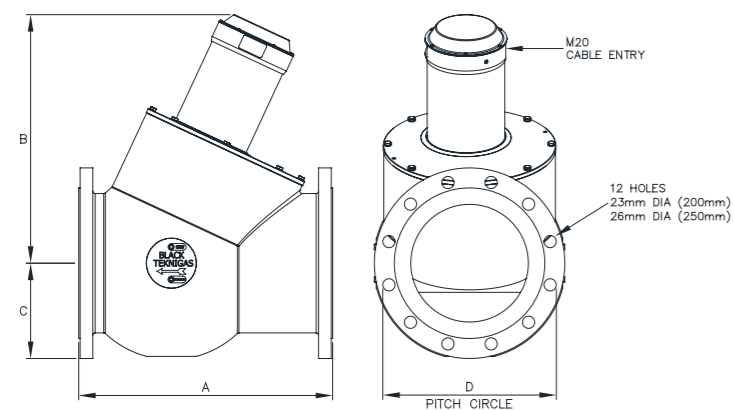


PE6689FL4



Powerseat® Original Specification

BC66810FL4, BC66811FL4



Valve Type	Connection	Dimensions, mm Refer to diagram			
		A	B	C	D
Powerseat® Eco Specification					
PE6683	1.5" Screwed	156	289	39	79
PE6684	2" Screwed	156	289	39	79
PE6685	2.5" Screwed	235	317	58	110
PE6686	3" Screwed	235	317	58	110
PE6685FL4	65mm Flanged	219	268	93	145
PE6686FL4	80mm Flanged	219	268	102	160
PE6687FL4	100mm Flanged	248	308	110	180
PE6689FL4	150mm Flanged	360	395	143	240
Powerseat® Original Specification					
BC66810FL4	200mm Flanged	458	485	170	295
BC66811FL4	250mm Flanged	540	530	203	355

The descriptions and photographs contained in this product specification sheet are supplied by way of information only and are not binding. Watts Industries reserves the right to carry out any technical and design improvements to its products without prior notice. Warranty: All sales and contracts for sale are expressly conditioned on the buyer's assent to Watts terms and conditions found on its website at www.wattswater.eu. Watts hereby objects to any term, different from or additional to Watts terms, contained in any buyer communication in any form, unless agreed to in a writing signed by an officer of Watts.

Black Teknigas Powerseat® Eco

Electro-Hydraulic Gas Safety Shut-off Valve





Powerseat® Eco

Watts Industries is a multi-national company founded in the USA in 1857. Specialising in Water, Gas & Electronic technologies.

With over 50 years experience, Watts are the UK's leading manufacturer for the safe control of Combustion, Industrial, Medical & Laboratory Gases.



The Powerseat® electro-hydraulic gas shut-off valve allows the control and safety shut-off of low pressure combustible gases in pipes from 40mm to 250mm, whilst focusing on being energy efficient and environmentally friendly. The Powerseat Eco shut-off valve is kept open by a hydraulic pump where hydraulic fluid is forced into a cylinder driving the valve open.

New and improved features

- LED to display "ON" and "manual Re-set required" status
- Increased environmental protection to IP56 equivalent
- Manual re-set switch incorporated on all versions
- IP67 equivalent rating option available
- Screwless quick connections for installation of electrics
- Volt free contacts for BMS connection

Environmental factors

- Around 768kg less carbon emissions than with a comparable magnetic solenoid valve*
- Saves the equivalent carbon emissions of 3,758 miles in a car.

Power consumption

- Uses just 6% of the power that a comparable magnetic solenoid valve uses
- Reduced electricity running costs: Uses just a fraction of the energy required by permanently energized magnetic solenoid valves
- Improved energy efficiency from previous Powerseat® model, reduced from 26 VA to 10 VA

Quality

- 3 year warranty as standard
- UK manufactured
- EC certified
- IP56 standard:
 - Dust protected - no harmful deposit
 - Water jet protected - from any direction
- Certified to EN161, Class A Group 2 construction



	VA	Watts	KwH	KG CO ₂ /Hr	KG CO ₂ /Yr
Electro-Hydraulic	10	10	0.010	0.005	46.2
Traditional solenoid valve	170	170	0.17	0.09	784.8

*Calculated on Gov.org Published Figures as at 05.01.2017

The descriptions and photographs contained in this product specification sheet are supplied by way of information only and are not binding.

Watts Industries reserves the right to carry out any technical and design improvements to its products without prior notice.

Warranty: All sales and contracts for sale are expressly conditioned on the buyer's assent to Watts terms and conditions found on its website at www.wattsindustries.com.

Watts hereby objects to any term, different from or additional to Watts terms, contained in any buyer communication in any form, unless agreed to in a writing signed by an officer of Watts.