

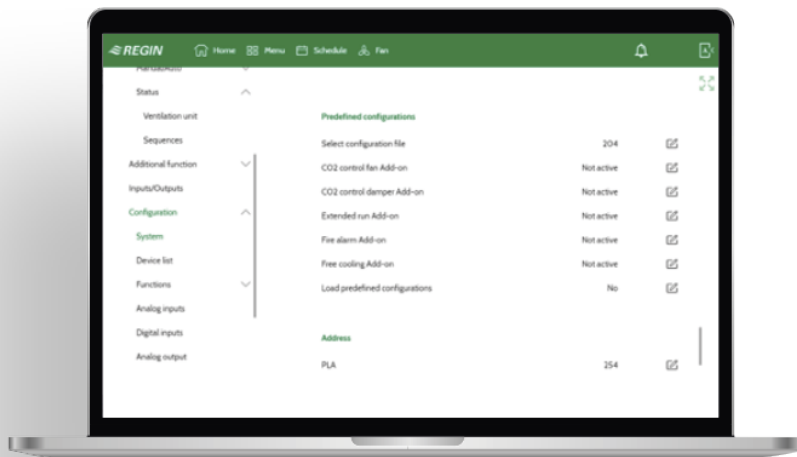
Corrigo 5.0

Predefined examples

There are predefined examples available for easy configuration. They can be selected in the internal text display, in the web interface or can be downloaded as atf-files on Regin's webpage.

The atf-files can be used in Application tool for further offline modification and adaption.

The predefined examples are a part of Regin's Ready-Steady-Go concept which makes it much easier and faster to configure the controller.



Examples which can be used for Ardo-controllers with 28 IO's	03
Examples which can be used for Ardo-controllers with 15 and 28 IO's	20
Examples which can be used for Vido-controllers with 20 IO's	29

AB Regin
Head office

Tel: +46 (0)31- 720 02 00
E-mail: info@regin.se
www.regincontrols.com



Examples which can be used for Ardo-controllers with 28 IO's

AB Regin
Head office

Tel: +46 (0)31- 720 02 00
E-mail: info@regin.se
www.regincontrols.com

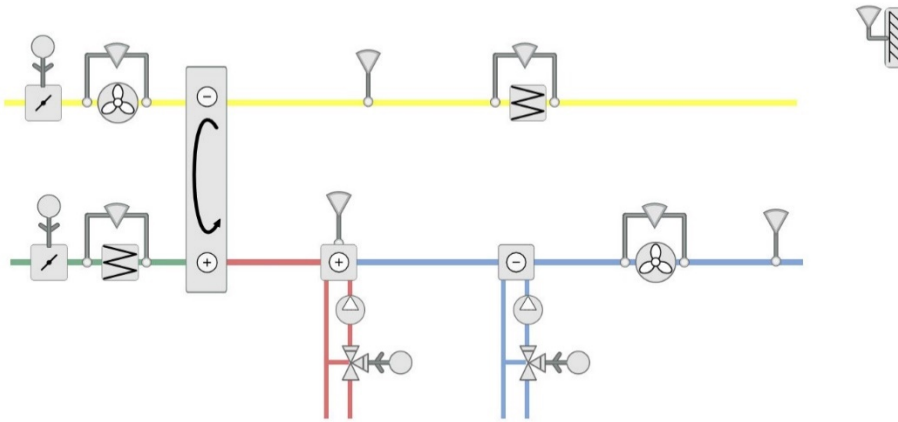


Example 201

Function-description:

Extract air cascade temperature control - Manual fan control -

Temperature control sequence with Rotary exchanger, Water heater and Water cooler



	G	1	G				
	G0	2	G0			P1 B	
	Gnd	3				P1 A	
	+C	4	+C			P1 N	
	Gdo	10	GDO			P1 E	
SAF start	DO1	11	DO1			P2 B	
EAF start	DO2	12	DO2			P2 A	
Heater pump	DO3	13	DO3			P2 N	
Cooler pump	DO4	14	DO4			P2 E	
Outdoor air damper	DO5	15	DO5				
Exhaust air damper	DO6	16	DO6			Ext D	
	DO7	17	DO7				
	Agnd	30	Agnd			DI1	SAF Indication
Outdoor temperature	AI1	31	AI1			DI2	EAF Indication
Supply temperature	AI2	32	AI2			DI3	Outdoor air filter
	Agnd	33	Agnd			DI4	Extract air filter
Frost protect. temp.	AI3	34	AI3			DI5	
Extract air temp.	AI4	35	AI4			DI6	Fire alarm – opt.
	Agnd	40	Agnd			DI7	Extended run – opt.
Defrost Exchanger	UI1	41	UI1: AI5/DI9			DI8	
	UI2	42	UI2: AI6/DI10			Agnd	
	Agnd	43	Agnd			AO1	SAF signal
	UI3	44	UI3: AI7/DI11			AO2	EAF signal
CO2 – opt.	UI4	45	UI4: AI8/DI12			AO3	Exchanger signal
						AO4	Heater signal
	TCP					AO5	Cooler signal

Terminal connection

File:

201_Corrigo50_VCA283_ExtractCascade_ManualFan_Exchange_WaterHeater_WaterCooler

AB Regin
Head office

Tel: +46 (0)31- 720 02 00
E-mail: info@regin.se
www.regincontrols.com

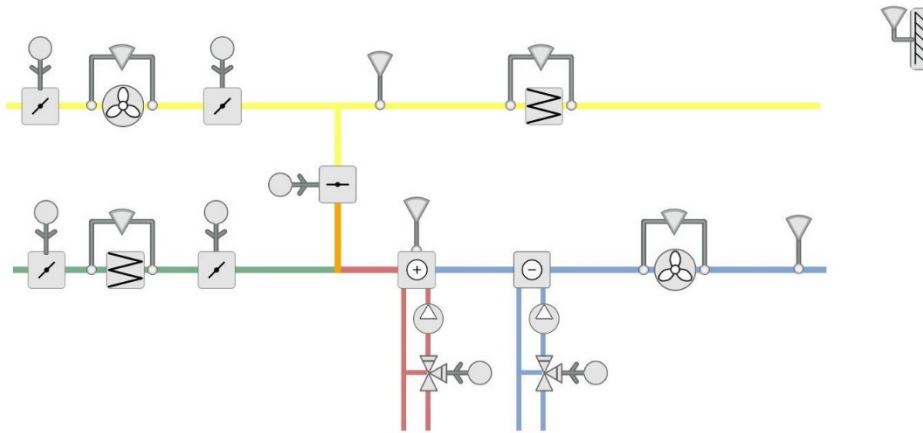
REGIN
THE CHALLENGER

Example 202

Function-description:

Extract air cascade temperature control - Manual fan control –

Temperature control sequence with Mixing damper, Water heater and Water cooler



	G	1	G		
	G0	2	G0		P1 B
	Gnd	3			P1 A
	+C	4	+C		P1 N
	Gdo	10	GDO		P1 E
SAF start	DO1	11	DO1		P2 B
EAF start	DO2	12	DO2		P2 A
Heater pump	DO3	13	DO3		P2 N
Cooler pump	DO4	14	DO4		P2 E
Outdoor air damper	DO5	15	DO5		
Exhaust air damper	DO6	16	DO6		Ext D
	DO7	17	DO7		
	Agnd	30	Agnd	DI1	DI1
Outdoor temperature	AI1	31	AI1	DI2	DI2
Supply temperature	AI2	32	AI2	DI3	DI3
	Agnd	33	Agnd	DI4	DI4
Frost protect. temp.	AI3	34	AI3	DI5	DI5
Extract air temp.	AI4	35	AI4	DI6	DI6
	Agnd	40	Agnd	DI7	DI7
	UI1	41	UI1: AI5/DI9	DI8	DI8
	UI2	42	UI2: AI6/DI10	Agnd	Agnd
	UI3	44	UI3: AI7/DI11	AO1	AO1
CO2 – opt.	UI4	45	UI4: AI8/DI12	AO2	AO2
				AO3	AO3
				AO4	AO4
				AO5	AO5
	TCP				

Terminal connection

File:

202_Corrigo50_VCA283_ExtractCascade_ManualFan_MixingDamper_WaterHeater_WaterCooler

AB Regin
Head office

Tel: +46 (0)31- 720 02 00
E-mail: info@regin.se
www.regincontrols.com

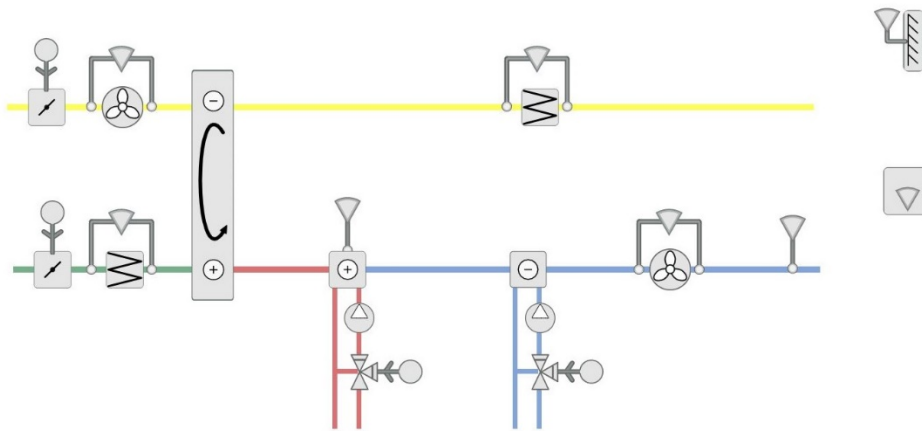
REGIN
THE CHALLENGER

Example 203

Function-description:

Room cascade temperature control - Manual fan control –

Temperature control sequence with Rotary exchanger, Water heater and Water cooler



	G	1	G		
	G0	2	G0		P1 B
	Gnd	3			P1 A
	+C	4	+C		P1 N
	Gdo	10	GDO		P1 E
SAF start	DO1	11	DO1		P2 B
EAF start	DO2	12	DO2		P2 A
Heater pump	DO3	13	DO3		P2 N
Cooler pump	DO4	14	DO4		P2 E
Outdoor air damper	DO5	15	DO5		
Exhaust air damper	DO6	16	DO6		Ext D
	DO7	17	DO7		
	Agnd	30	Agnd	DI1	71
Outdoor temperature	AI1	31	AI1	DI2	72
Supply temperature	AI2	32	AI2	DI3	73
	Agnd	33	Agnd	DI4	74
Frost protect. temp.	AI3	34	AI3	DI5	75
Room temperature	AI4	35	AI4	DI6	76
	Agnd	40	Agnd	DI7	77
Defrost Exchanger	UI1	41	UI1: AI5/DI9	DI8	78
	UI2	42	UI2: AI6/DI10	Agnd	90
	Agnd	43	Agnd	AO1	91
	UI3	44	UI3: AI7/DI11	AO2	92
CO2 – opt.	UI4	45	UI4: AI8/DI12	AO3	93
				AO4	94
	TCP			AO5	95

Terminal connection

File:

203_Corrigo50_VCA283_RoomCascade_ManualFan_Exchange_WaterHeater_WaterCooler

AB Regin
Head office

Tel: +46 (0)31- 720 02 00
E-mail: info@regin.se
www.regincontrols.com

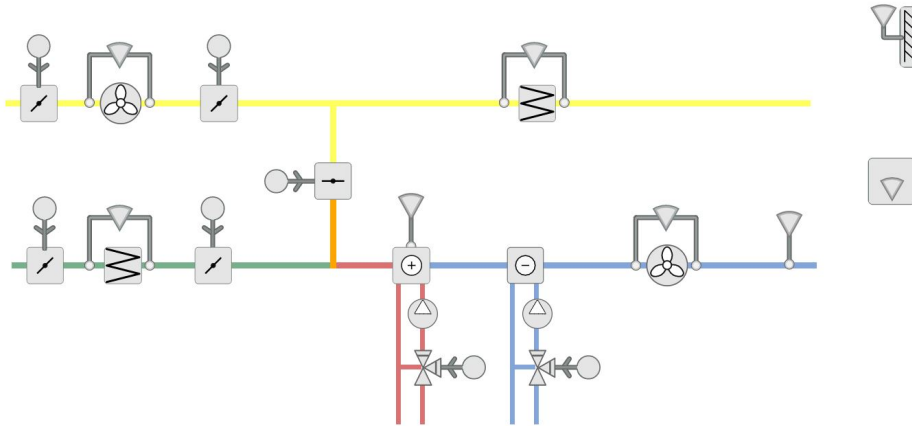
REGIN
THE CHALLENGER

Example 204

Function-description:

Room cascade temperature control - Manual fan control –

Temperature control sequence with Mixing damper, Water heater and Water cooler



	G	1	G		
	G0	2	G0		P1 B
	Gnd	3			P1 A
	+C	4	+C		P1 N
	Gdo	10	GDO		P1 E
SAF start	DO1	11	DO1		P2 B
EAF start	DO2	12	DO2		P2 A
Heater pump	DO3	13	DO3		P2 N
Cooler pump	DO4	14	DO4		P2 E
Outdoor air damper	DO5	15	DO5		
Exhaust air damper	DO6	16	DO6		Ext D
	DO7	17	DO7		
	Agnd	30	Agnd	DI1	DI1
Outdoor temperature	AI1	31	AI1	DI2	DI2
Supply temperature	AI2	32	AI2	DI3	DI3
	Agnd	33	Agnd	DI4	DI4
Frost protect. temp.	AI3	34	AI3	DI5	DI5
Room temperature	AI4	35	AI4	DI6	DI6
	Agnd	40	Agnd	DI7	DI7
	UI1	41	UI1: AI5/DI9	DI8	DI8
	UI2	42	UI2: AI6/DI10	Agnd	Agnd
	Agnd	43	Agnd	AO1	AO1
	UI3	44	UI3: AI7/DI11	AO2	AO2
CO2 – opt.	UI4	45	UI4: AI8/DI12	AO3	AO3
	TCP		TCP/IP	AO4	AO4
			RJ45	AO5	AO5

Terminal connection

File:

204_Corrigo50_VCA283_RoomCascade_ManualFan_MixingDamper_WaterHeater_WaterCooler

AB Regin
Head office

Tel: +46 (0)31- 720 02 00
E-mail: info@regin.se
www.regincontrols.com

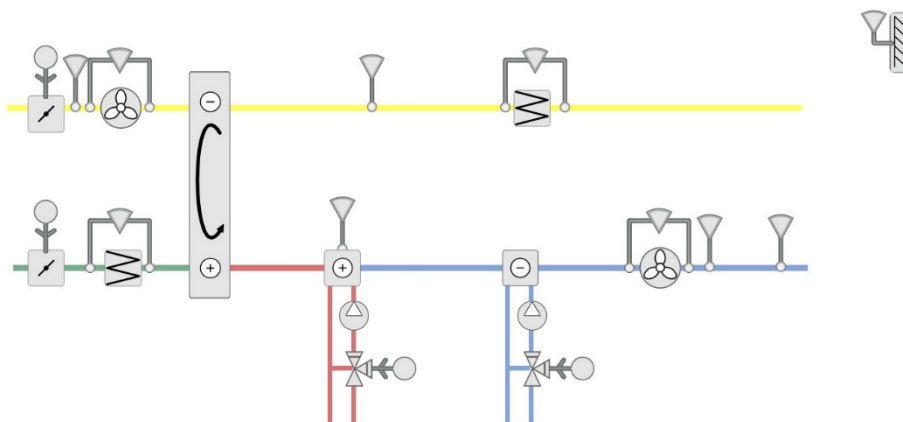
REGIN
THE CHALLENGER

Example 205

Function-description:

Extract air cascade temperature control - Pressure fan control –

Temperature control sequence with Rotary exchanger, Water heater and Water cooler



	G	1	G				
	G0	2	G0			P1 B	
	Gnd	3				P1 A	
	+C	4	+C			P1 N	
	Gdo	10	GDO			P1 E	
SAF start	DO1	11	DO1			P2 B	
EAF start	DO2	12	DO2			P2 A	
Heater pump	DO3	13	DO3			P2 N	
Cooler pump	DO4	14	DO4			P2 E	
Outdoor air damper	DO5	15	DO5				
Exhaust air damper	DO6	16	DO6			Ext D	
	DO7	17	DO7				
	Agnd	30	Agnd			DI1	SAF Indication
Outdoor temperature	AI1	31	AI1			DI2	EAF Indication
Supply temperature	AI2	32	AI2			DI3	Outdoor air filter
	Agnd	33	Agnd			DI4	Extract air filter
Frost protect. temp.	AI3	34	AI3			DI5	
Extract air temp.	AI4	35	AI4			DI6	<i>Fire alarm – opt.</i>
	Agnd	40	Agnd			DI7	<i>Extended run – opt.</i>
Defrost Exchanger	UI1	41	UI1: AI5/DI9			DI8	
Pressure SAF	UI2	42	UI2: AI6/DI10			Agnd	
	Agnd	43	Agnd			AO1	SAF signal
Pressure EAF	UI3	44	UI3: AI7/DI11			AO2	EAF signal
CO2 – opt.	UI4	45	UI4: AI8/DI12			AO3	Exchanger signal
						AO4	Heater signal
	TCP					AO5	Cooler signal

Terminal connection

File:

205_Corrigo50_VCA283_ExtractCascade_PressureFan_Exchange_WaterHeater_WaterCooler

AB Regin
Head office

Tel: +46 (0)31- 720 02 00
E-mail: info@regin.se
www.regincontrols.com

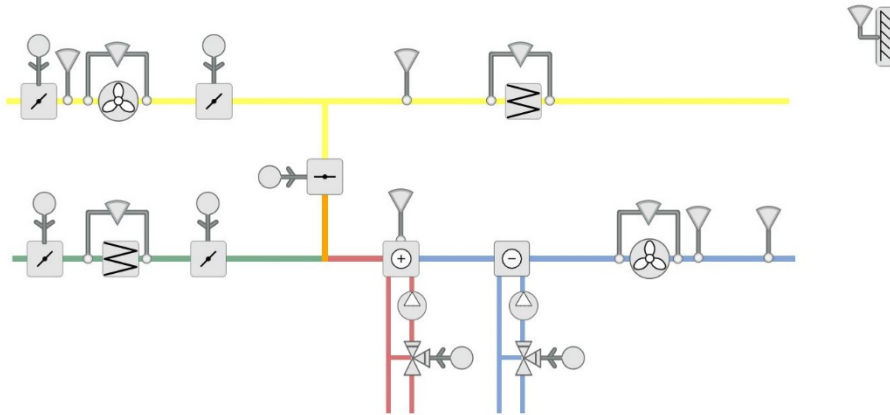
REGIN
THE CHALLENGER

Example 206

Function-description:

Extract air cascade temperature control - Pressure fan control –

Temperature control sequence with Mixing damper, Water heater and Water cooler



	G	1	G				
	G0	2	G0			P1 B	
	Gnd	3				P1 A	
	+C	4	+C			P1 N	
	Gdo	10	GDO			P1 E	
SAF start	DO1	11	DO1			P2 B	
EAF start	DO2	12	DO2			P2 A	
Heater pump	DO3	13	DO3			P2 N	
Cooler pump	DO4	14	DO4			P2 E	
Outdoor air damper	DO5	15	DO5				
Exhaust air damper	DO6	16	DO6			Ext D	
	DO7	17	DO7				
	Agnd	30	Agnd			DI1	SAF Indication
Outdoor temperature	AI1	31	AI1			DI2	EAF Indication
Supply temperature	AI2	32	AI2			DI3	Outdoor air filter
	Agnd	33	Agnd			DI4	Extract air filter
Frost protect. temp.	AI3	34	AI3			DI5	
Extract air temp.	AI4	35	AI4			DI6	Fire alarm – opt.
	Agnd	40	Agnd			DI7	Extended run – opt.
	UI1	41	UI1: AI5/DI9			DI8	
Pressure SAF	UI2	42	UI2: AI6/DI10			Agnd	
	Agnd	43	Agnd			AO1	SAF signal
Pressure EAF	UI3	44	UI3: AI7/DI11			AO2	EAF signal
CO ₂ – opt.	UI4	45	UI4: AI8/DI12			AO3	Mixing damper signal
						AO4	Heater signal
	TCP					AO5	Cooler signal

Terminal connection

File:

206_Corrigo50_VCA283_ExtractCascade_PressureFan_MixingDamper_WaterHeater_WaterCooler

AB Regin
Head office

Tel: +46 (0)31- 720 02 00
E-mail: info@regin.se
www.regincontrols.com

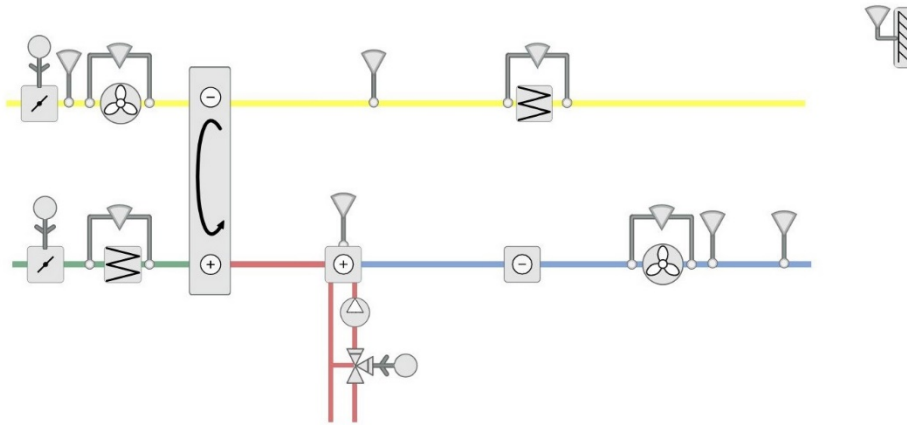
REGIN
THE CHALLENGER

Example 207

Function-description:

Extract air cascade temperature control - Pressure fan control –

Temperature control sequence with Rotary exchanger, Water heater and DX cooler



	G	1	G				
	G0	2	G0			P1 B	
	Gnd	3				P1 A	
	+C	4	+C			P1 N	
	Gdo	10	GDO			P1 E	
SAF start	DO1	11	DO1			P2 B	
EAF start	DO2	12	DO2			P2 A	
Heater pump	DO3	13	DO3			P2 N	
DX-Cooler start	DO4	14	DO4			P2 E	
Outdoor air damper	DO5	15	DO5				
Exhaust air damper	DO6	16	DO6			Ext D	
	DO7	17	DO7				
	Agnd	30	Agnd			DI1	SAF Indication
Outdoor temperature	AI1	31	AI1			DI2	EAF Indication
Supply temperature	AI2	32	AI2			DI3	Outdoor air filter
	Agnd	33	Agnd			DI4	Extract air filter
Frost protect. temp.	AI3	34	AI3			DI5	
Extract air temp.	AI4	35	AI4			DI6	Fire alarm – opt.
	Agnd	40	Agnd			DI7	Extended run – opt.
Defrost Exchanger	UI1	41	UI1: AI5/DI9			DI8	
Pressure SAF	UI2	42	UI2: AI6/DI10			Agnd	
	Agnd	43	Agnd			AO1	SAF signal
Pressure EAF	UI3	44	UI3: AI7/DI11			AO2	EAF signal
CO2 – opt.	UI4	45	UI4: AI8/DI12			AO3	Exchanger signal
						AO4	Heater signal
						AO5	DX-Cooler signal
	TCP						

Terminal connection

File:

207_Corrigo50_VCA283_ExtractCascade_PressureFan_Exchange_WaterHeater_DXCooler

AB Regin
Head office

Tel: +46 (0)31- 720 02 00
E-mail: info@regin.se
www.regincontrols.com

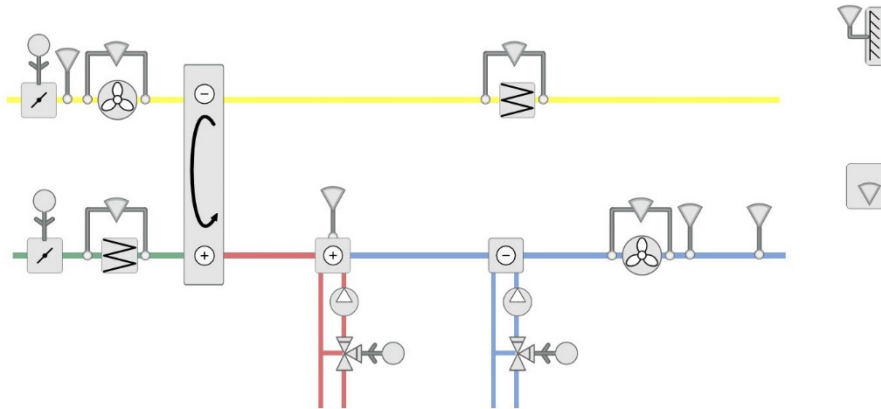
REGIN
THE CHALLENGER

Example 208

Function-description:

Room cascade temperature control - Pressure fan control –

Temperature control sequence with Rotary exchanger, Water heater and Water cooler



	G	1	G				
	G0	2	G0			P1 B	
	Gnd	3				P1 A	
	+C	4	+C			P1 N	
	Gdo	10	GDO			P1 E	
SAF start	DO1	11	DO1			P2 B	
EAF start	DO2	12	DO2			P2 A	
Heater pump	DO3	13	DO3			P2 N	
Cooler pump	DO4	14	DO4			P2 E	
Outdoor air damper	DO5	15	DO5				
Exhaust air damper	DO6	16	DO6			Ext D	
	DO7	17	DO7				
	Agnd	30	Agnd			DI1	SAF Indication
Outdoor temperature	AI1	31	AI1			DI2	EAF Indication
Supply temperature	AI2	32	AI2			DI3	Outdoor air filter
	Agnd	33	Agnd			DI4	Extract air filter
Frost protect. temp.	AI3	34	AI3			DI5	
Room temperature	AI4	35	AI4			DI6	<i>Fire alarm – opt.</i>
	Agnd	40	Agnd			DI7	<i>Extended run – opt.</i>
Defrost Exchanger	UI1	41	UI1: AI5/DI9			DI8	
Pressure SAF	UI2	42	UI2: AI6/DI10			Agnd	
	Agnd	43	Agnd			AO1	SAF signal
Pressure EAF	UI3	44	UI3: AI7/DI11			AO2	EAF signal
CO ₂ – opt.	UI4	45	UI4: AI8/DI12			AO3	Exchanger signal
						AO4	Heater signal
						AO5	Cooler signal
	TCP						

Terminal connection

File:

208_Corrigo50_VCA283_RoomCascade_PressureFan_Exchange_WaterHeater_WaterCooler

AB Regin
Head office

Tel: +46 (0)31- 720 02 00
E-mail: info@regin.se
www.regincontrols.com

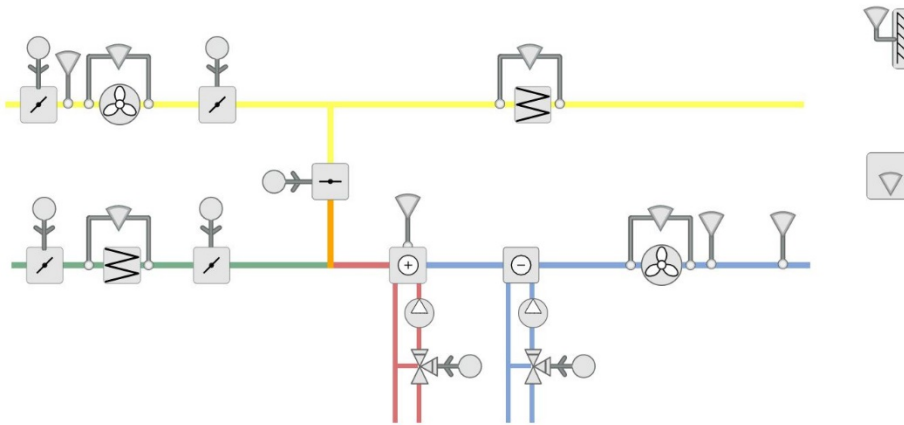
REGIN
THE CHALLENGER

Example 209

Function-description:

Room cascade temperature control - Pressure fan control –

Temperature control sequence with Mixing damper, Water heater and Water cooler



	G	1	G				
	G0	2	G0			P1 B	
	Gnd	3				P1 A	
	+C	4	+C			P1 N	
	Gdo	10	GDO			P1 E	
SAF start	DO1	11	DO1			P2 B	
EAF start	DO2	12	DO2			P2 A	
Heater pump	DO3	13	DO3			P2 N	
Cooler pump	DO4	14	DO4			P2 E	
Outdoor air damper	DO5	15	DO5				
Exhaust air damper	DO6	16	DO6			Ext D	
	DO7	17	DO7				
	Agnd	30	Agnd			DI1	SAF Indication
Outdoor temperature	AI1	31	AI1			DI2	EAF Indication
Supply temperature	AI2	32	AI2			DI3	Outdoor air filter
	Agnd	33	Agnd			DI4	Extract air filter
Frost protect. temp.	AI3	34	AI3			DI5	
Room temperature	AI4	35	AI4			DI6	Fire alarm – opt.
	Agnd	40	Agnd			DI7	Extended run – opt.
	UI1	41	UI1: AI5/DI9			DI8	
Pressure SAF	UI2	42	UI2: AI6/DI10			Agnd	
	Agnd	43	Agnd			AO1	SAF signal
Pressure EAF	UI3	44	UI3: AI7/DI11			AO2	EAF signal
CO2 – opt.	UI4	45	UI4: AI8/DI12			AO3	Mixing damper signal
						AO4	Heater signal
						AO5	Cooler signal
	TCP						

Terminal connection

File:

209_Corrigo50_VCA283_RoomCascade_PressureFan_MixingDamper_WaterHeater_WaterCooler

AB Regin
Head office

Tel: +46 (0)31- 720 02 00
E-mail: info@regin.se
www.regincontrols.com

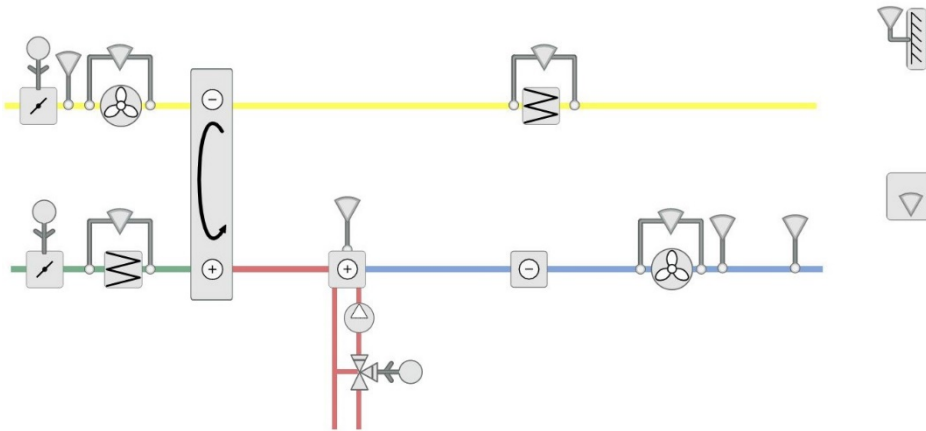
REGIN
THE CHALLENGER

Example 210

Function-description:

Room cascade temperature control - Pressure fan control –

Temperature control sequence with Rotary exchanger, Water heater and DX cooler



	G	1	G				
	G0	2	G0			P1 B	
	Gnd	3				P1 A	
	+C	4	+C			P1 N	
	Gdo	10	GDO			P1 E	
SAF start	DO1	11	DO1			P2 B	
EAF start	DO2	12	DO2			P2 A	
Heater pump	DO3	13	DO3			P2 N	
DX-Cooler start	DO4	14	DO4			P2 E	
Outdoor air damper	DO5	15	DO5				
Exhaust air damper	DO6	16	DO6			Ext D	
	DO7	17	DO7				
	Agnd	30	Agnd			DI1	SAF Indication
Outdoor temperature	AI1	31	AI1			DI2	EAF Indication
Supply temperature	AI2	32	AI2			DI3	Outdoor air filter
	Agnd	33	Agnd			DI4	Extract air filter
Frost protect. temp.	AI3	34	AI3			DI5	
Room temperature	AI4	35	AI4			DI6	<i>Fire alarm – opt.</i>
	Agnd	40	Agnd			DI7	<i>Extended run – opt.</i>
Defrost Exchanger	UI1	41	UI1: AI5/DI9			DI8	
Pressure SAF	UI2	42	UI2: AI6/DI10			Agnd	
	Agnd	43	Agnd			AO1	SAF signal
Pressure EAF	UI3	44	UI3: AI7/DI11			AO2	EAF signal
CO2 – opt.	UI4	45	UI4: AI8/DI12			AO3	Exchanger signal
						AO4	Heater signal
						AO5	DX-Cooler signal
	TCP						

Terminal connection

File:

210_Corrigo50_VCA283_RoomCascade_PressureFan_Exchange_WaterHeater_DXCooler

AB Regin
Head office

Tel: +46 (0)31- 720 02 00
E-mail: info@regin.se
www.regincontrols.com

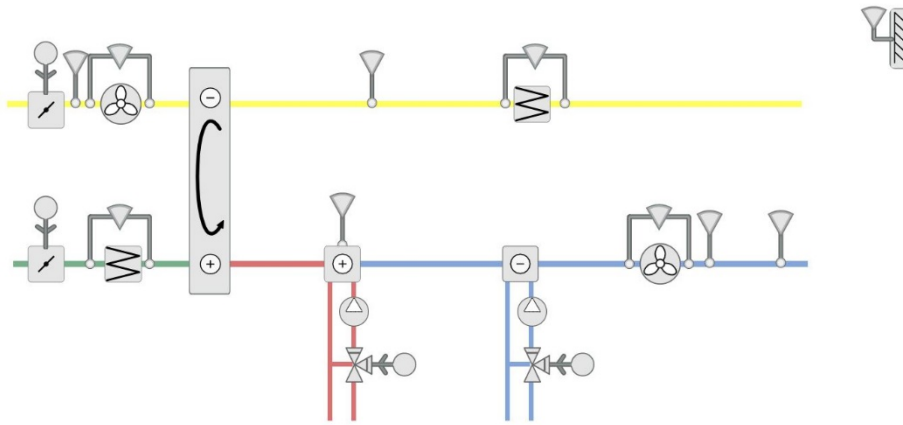
REGIN
THE CHALLENGER

Example 211

Function-description:

Extract air cascade temperature control - Volume flow fan control –

Temperature control sequence with Rotary exchanger, Water heater and Water cooler



	G	1	G			
	G0	2	G0			P1 B
	Gnd	3				P1 A
	+C	4	+C			P1 N
	Gdo	10	GDO			P1 E
SAF start	DO1	11	DO1			P2 B
EAF start	DO2	12	DO2			P2 A
Heater pump	DO3	13	DO3			P2 N
Cooler pump	DO4	14	DO4			P2 E
Outdoor air damper	DO5	15	DO5			
Exhaust air damper	DO6	16	DO6			Ext D
	DO7	17	DO7			
	Agnd	30	Agnd			DI1
Outdoor temperature	AI1	31	AI1			DI2
Supply temperature	AI2	32	AI2			DI3
	Agnd	33	Agnd			DI4
Frost protect. temp.	AI3	34	AI3			DI5
Extract air temp.	AI4	35	AI4			DI6
	Agnd	40	Agnd			DI7
Defrost Exchanger	UI1	41	UI1: AI5/DI9			DI8
Pressure SAF	UI2	42	UI2: AI6/DI10			Agnd
	Agnd	43	Agnd			AO1
Pressure EAF	UI3	44	UI3: AI7/DI11			AO2
CO2 – opt.	UI4	45	UI4: AI8/DI12			AO3
						AO4
	TCP					AO5

Terminal connection

File:

211_Corrigo50_VCA283_ExtractCascade_VolumeFan_Exchange_WaterHeater_WaterCooler

AB Regin
Head office

Tel: +46 (0)31- 720 02 00
E-mail: info@regin.se
www.regincontrols.com

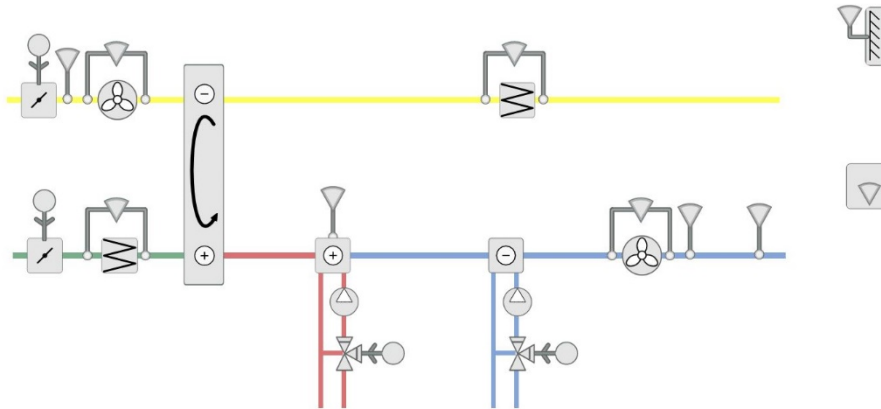
REGIN
THE CHALLENGER

Example 212

Function-description:

Room cascade temperature control - Volume flow fan control –

Temperature control sequence with Rotary exchanger, Water heater and Water cooler



	G	1	G				
	G0	2	G0			P1 B	
	Gnd	3				P1 A	
	+C	4	+C			P1 N	
	Gdo	10	GDO			P1 E	
SAF start	DO1	11	DO1			P2 B	
EAF start	DO2	12	DO2			P2 A	
Heater pump	DO3	13	DO3			P2 N	
Cooler pump	DO4	14	DO4			P2 E	
Outdoor air damper	DO5	15	DO5				
Exhaust air damper	DO6	16	DO6			Ext D	
	DO7	17	DO7				
	Agnd	30	Agnd			DI1	SAF Indication
Outdoor temperature	AI1	31	AI1			DI2	EAF Indication
Supply temperature	AI2	32	AI2			DI3	Outdoor air filter
	Agnd	33	Agnd			DI4	Extract air filter
Frost protect. temp.	AI3	34	AI3			DI5	
Room temperature	AI4	35	AI4			DI6	<i>Fire alarm – opt.</i>
	Agnd	40	Agnd			DI7	<i>Extended run – opt.</i>
Defrost Exchanger	UI1	41	UI1: AI5/DI9			DI8	
Pressure SAF	UI2	42	UI2: AI6/DI10			Agnd	
	Agnd	43	Agnd			AO1	SAF signal
Pressure EAF	UI3	44	UI3: AI7/DI11			AO2	EAF signal
CO ₂ – opt.	UI4	45	UI4: AI8/DI12			AO3	Exchanger signal
						AO4	Heater signal
						AO5	Cooler signal
	TCP						

Terminal connection

File:

212_Corrigo50_VCA283_RoomCascade_VolumeFan_Exchange_WaterHeater_WaterCooler

AB Regin
Head office

Tel: +46 (0)31- 720 02 00
E-mail: info@regin.se
www.regincontrols.com

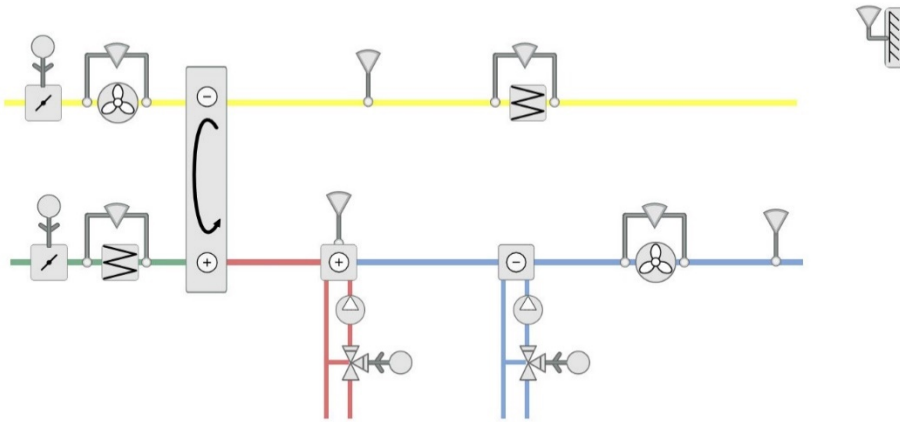
REGIN
THE CHALLENGER

Example 213

Function-description:

Extract air cascade temperature control - Manual control of 2 step fan –

Temperature control sequence with Rotary exchanger, Water heater and Water cooler



	G	1	G				
	G0	2	G0			P1 B	
	Gnd	3				P1 A	
	+C	4	+C			P1 N	
	Gdo	10	GDO			P1 E	
SAF step1	DO1	11	DO1			P2 B	
EAF step1	DO2	12	DO2			P2 A	
Heater pump	DO3	13	DO3			P2 N	
Cooler pump	DO4	14	DO4			P2 E	
Outd. Exhaust damper	DO5	15	DO5				
SAF step2	DO6	16	DO6			Ext D	
EAF step2	DO7	17	DO7				
	Agnd	30	Agnd			DI1	SAF Indication
Outdoor temperature	AI1	31	AI1			DI2	EAF Indication
Supply temperature	AI2	32	AI2			DI3	Outdoor air filter
	Agnd	33	Agnd			DI4	Extract air filter
Frost protect. temp.	AI3	34	AI3			DI5	
Extract air temp.	AI4	35	AI4			DI6	Fire alarm – opt.
	Agnd	40	Agnd			DI7	Extended run – opt.
Defrost Exchanger	UI1	41	UI1: AI5/DI9			DI8	
	UI2	42	UI2: AI6/DI10			Agnd	
	Agnd	43	Agnd			AO1	
	UI3	44	UI3: AI7/DI11			AO2	
CO2 – opt.	UI4	45	UI4: AI8/DI12			AO3	Exchanger signal
						AO4	Heater signal
	TCP					AO5	Cooler signal

Terminal connection

File:

213_Corrigo50_VCA283_ExtractCascade_2StepFan_Exchange_WaterHeater_WaterCooler

AB Regin
Head office

Tel: +46 (0)31- 720 02 00
E-mail: info@regin.se
www.regincontrols.com

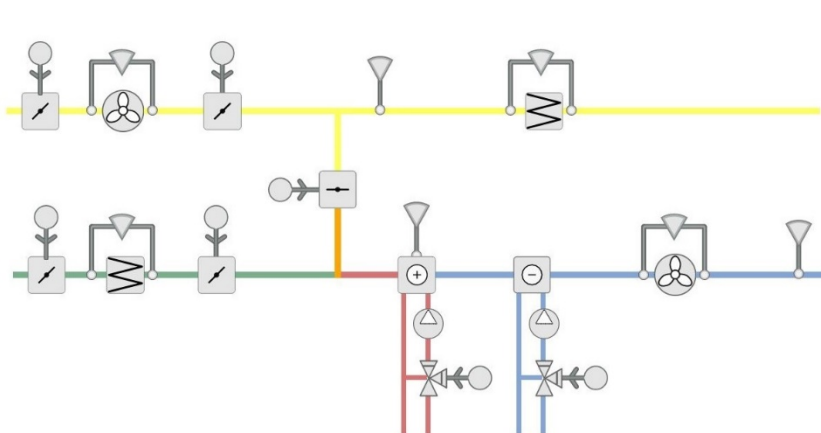
REGIN
THE CHALLENGER

Example 214

Function-description:

Extract air cascade temperature control - Manual control of 2 step fan –

Temperature control sequence with Mixing damper, Water heater and Water cooler



	G	1	G			
	G0	2	G0			P1 B
	Gnd	3				P1 A
	+C	4	+C			P1 N
	Gdo	10	GDO			P1 E
SAF step1	DO1	11	DO1			P2 B
EAF step1	DO2	12	DO2			P2 A
Heater pump	DO3	13	DO3			P2 N
Cooler pump	DO4	14	DO4			P2 E
Outd. Exhaust damper	DO5	15	DO5			
SAF step2	DO6	16	DO6			Ext D
EAF step2	DO7	17	DO7			
	Agnd	30	Agnd			DI1
Outdoor temperature	AI1	31	AI1			DI2
Supply temperature	AI2	32	AI2			DI3
	Agnd	33	Agnd			DI4
Frost protect. temp.	AI3	34	AI3			DI5
Extract air temp.	AI4	35	AI4			DI6
	Agnd	40	Agnd			DI7
	UI1	41	UI1: AI5/DI9			DI8
	UI2	42	UI2: AI6/DI10			Agnd
	Agnd	43	Agnd			AO1
	UI3	44	UI3: AI7/DI11			AO2
CO2 – opt.	UI4	45	UI4: AI8/DI12			AO3
	TCP					AO4
						AO5

Terminal connection

File:

214_Corrigo50_VCA283_ExtractCascade_2StepFan_MixingDamper_WaterHeater_WaterCooler

AB Regin
Head office

Tel: +46 (0)31- 720 02 00
E-mail: info@regin.se
www.regincontrols.com

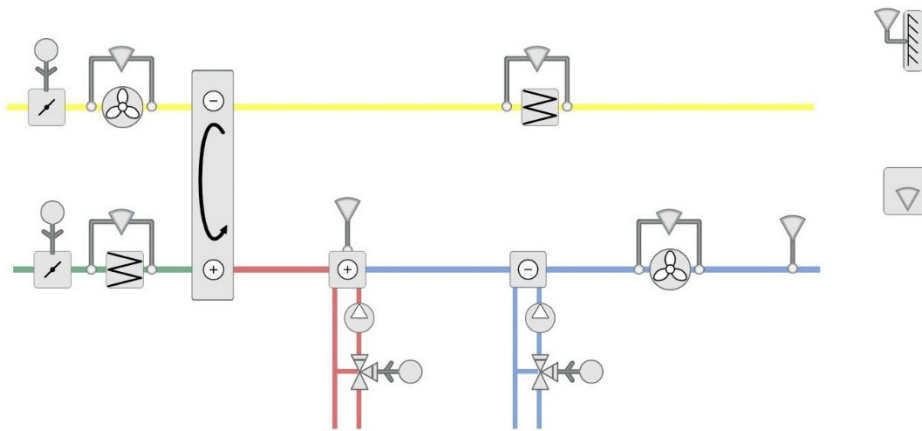
REGIN
THE CHALLENGER

Example 215

Function-description:

Room cascade temperature control - Manual control of 2 step fan –

Temperature control sequence with Rotary exchanger, Water heater and Water cooler



	G	1	G				
	G0	2	G0			P1 B	
	Gnd	3				P1 A	
	+C	4	+C			P1 N	
	Gdo	10	GDO			P1 E	
SAF step1	DO1	11	DO1			P2 B	
EAF step1	DO2	12	DO2			P2 A	
Heater pump	DO3	13	DO3			P2 N	
Cooler pump	DO4	14	DO4			P2 E	
Outd. Exhaust damper	DO5	15	DO5				
SAF step2	DO6	16	DO6			Ext D	
EAF step2	DO7	17	DO7				
	Agnd	30	Agnd			DI1	SAF Indication
Outdoor temperature	AI1	31	AI1			DI2	EAF Indication
Supply temperature	AI2	32	AI2			DI3	Outdoor air filter
	Agnd	33	Agnd			DI4	Extract air filter
Frost protect. temp.	AI3	34	AI3			DI5	
Room temperature	AI4	35	AI4			DI6	Fire alarm – opt.
	Agnd	40	Agnd			DI7	Extended run – opt.
Defrost Exchanger	UI1	41	UI1: AI5/DI9			DI8	
	UI2	42	UI2: AI6/DI10			Agnd	
	Agnd	43	Agnd			AO1	
	UI3	44	UI3: AI7/DI11			AO2	
CO2 – opt.	UI4	45	UI4: AI8/DI12			AO3	Exchanger signal
						AO4	Heater signal
	TCP					AO5	Cooler signal

Terminal connection

File:

215_Corrigo50_VCA283_RoomCascade_2StepFan_Exchange_WaterHeater_WaterCooler

AB Regin
Head office

Tel: +46 (0)31- 720 02 00
E-mail: info@regin.se
www.regincontrols.com

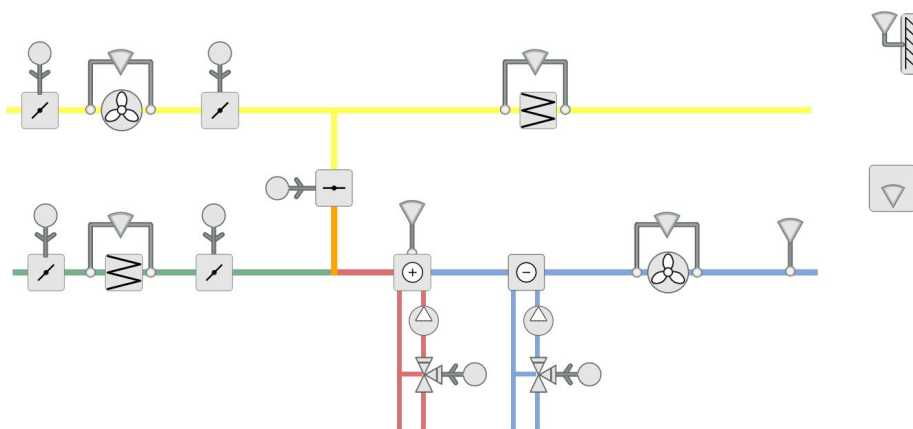
REGIN
THE CHALLENGER

Example 216

Function-description:

Room cascade temperature control - Manual control of 2 step fan –

Temperature control sequence with Mixing damper, Water heater and Water cooler



	G	1	G				
	G0	2	G0			P1 B	
	Gnd	3				P1 A	
	+C	4	+C			P1 N	
	Gdo	10	GDO			P1 E	
SAF step1	DO1	11	DO1			P2 B	
EAF step1	DO2	12	DO2			P2 A	
Heater pump	DO3	13	DO3			P2 N	
Cooler pump	DO4	14	DO4			P2 E	
Outd. Exhaust damper	DO5	15	DO5				
SAF step2	DO6	16	DO6			Ext D	
EAF step2	DO7	17	DO7				
	Agnd	30	Agnd			DI1	SAF Indication
Outdoor temperature	AI1	31	AI1			DI2	EAF Indication
Supply temperature	AI2	32	AI2			DI3	Outdoor air filter
	Agnd	33	Agnd			DI4	Extract air filter
Frost protect. temp.	AI3	34	AI3			DI5	
Room temperature	AI4	35	AI4			DI6	Fire alarm – opt.
	Agnd	40	Agnd			DI7	Extended run – opt.
	UI1	41	UI1: AI5/DI9			DI8	
	UI2	42	UI2: AI6/DI10			Agnd	
	Agnd	43	Agnd			AO1	
	UI3	44	UI3: AI7/DI11			AO2	
CO2 – opt.	UI4	45	UI4: AI8/DI12			AO3	Mixing damper signal
						AO4	Heater signal
	TCP					AO5	Cooler signal

Terminal connection

File:

216_Corrigo50_VCA283_RoomCascade_2StepFan_MixingDamper_WaterHeater_WaterCooler

AB Regin
Head office

Tel: +46 (0)31- 720 02 00
E-mail: info@regin.se
www.regincontrols.com

REGIN
THE CHALLENGER

Examples which can be used for Ardo-controllers with 15 and 28 IO's

AB Regin
Head office

Tel: +46 (0)31- 720 02 00
E-mail: info@regin.se
www.regincontrols.com

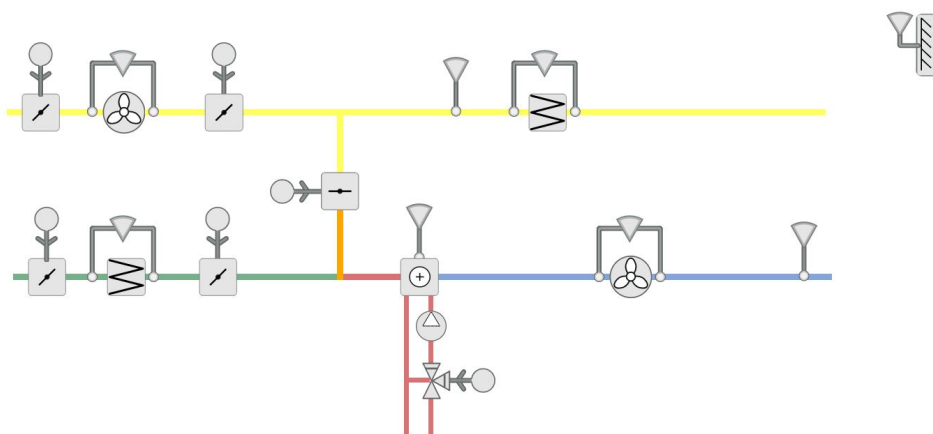


Example 002

Function-description:

Extract air cascade temperature control - Manual fan control –

Temperature control sequence with Mixing damper and Water heater



	G	1	G			
	G0	2	G0			P1 B
	Gnd	3				P1 A
	+C	4	+C			P1 N
	Gdo	10	GDO			P1 E
Fan start	DO1	11	DO1			
	DO2	12	DO2			
Heater pump	DO3	13	DO3			
Outd.-Exhaust damper	DO4	14	DO4			
	Agnd	30	Agnd			
Outdoor temperature	AI1	31	AI1	DI1	71	DI1 Fan Indication
Supply temperature	AI2	32	AI2	DI2	72	DI2 Outdoor air filter
	Agnd	33	Agnd	DI3	73	DI3 Extract air filter
Frost protect. temp.	AI3	34	AI3	DI4	74	DI4 Fire alarm – opt.
Extract air temp.	AI4	35	AI4			
				Agnd	90	Agnd
				AO1	91	AO1 Fan signal
				AO2	92	AO2 Mixing damper signal
				AO3	93	AO3 Exchanger signal
	TCP					

Terminal connection

File:

002_Corrigo50_VCA152_ExtractCascade_ManualFan_MixingDamper_WaterHeater

AB Regin
Head office

Tel: +46 (0)31- 720 02 00
E-mail: info@regin.se
www.regincontrols.com

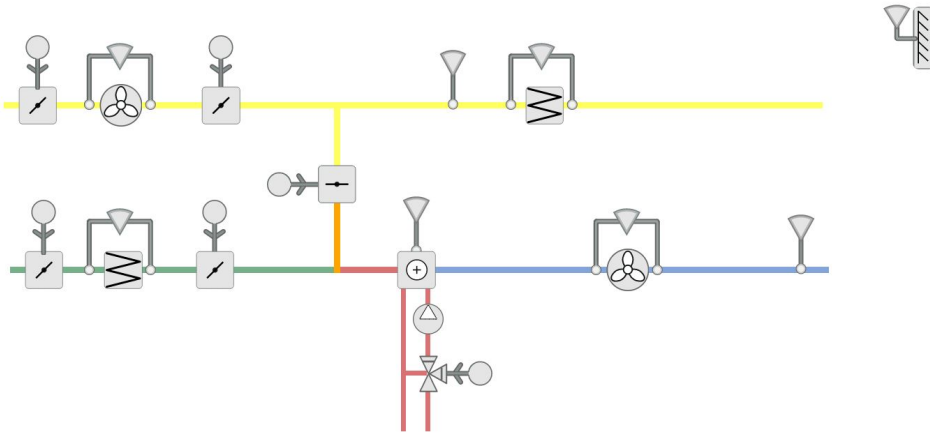


Example 004

Function-description:

Extract air cascade temperature control - Manual control of 2 step fan –

Temperature control sequence with Mixing damper and Water heater



	G	1	G	Corrigo VCA152(D)W-4		
	G0	2	G0			P1 B
	Gnd	3				P1 A
	+C	4	+C			P1 N
	Gdo	10	GDO			P1 E
Fan step1	DO1	11	DO1			
Fan step2	DO2	12	DO2			
Heater pump	DO3	13	DO3			
Outd.-Exhaust damper	DO4	14	DO4			
	Agnd	30	Agnd			Ext D
Outdoor temperature	AI1	31	AI1	DI1	71	DI1 Fan Indication
Supply temperature	AI2	32	AI2	DI2	72	DI2 Outdoor air filter
	Agnd	33	Agnd	DI3	73	DI3 Extract air filter
Frost protect. temp.	AI3	34	AI3	DI4	74	DI4 <i>Fire alarm – opt.</i>
Extract air temp.	AI4	35	AI4			
				Agnd	90	Agnd
				AO1	91	AO1
				AO2	92	AO2 Heater signal
				AO3	93	AO3 Mixing damper signal
	TCP		TCP/IP			

Terminal connection

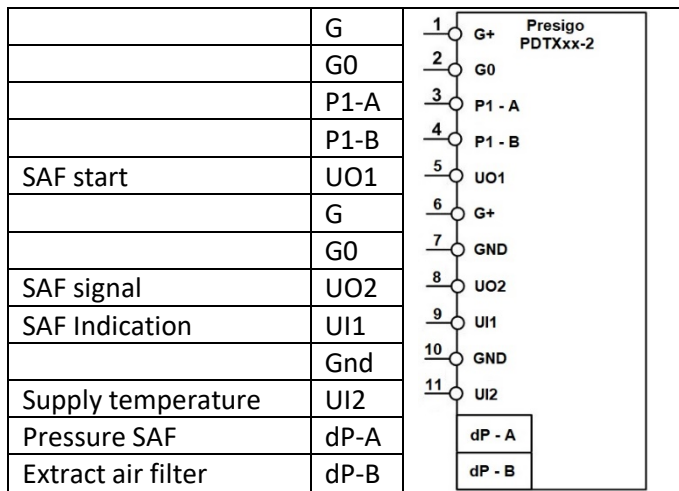
File:

004_Corrigo50_VCA152_ExtractCascade_2StepFan_MixingDamper_WaterHeater

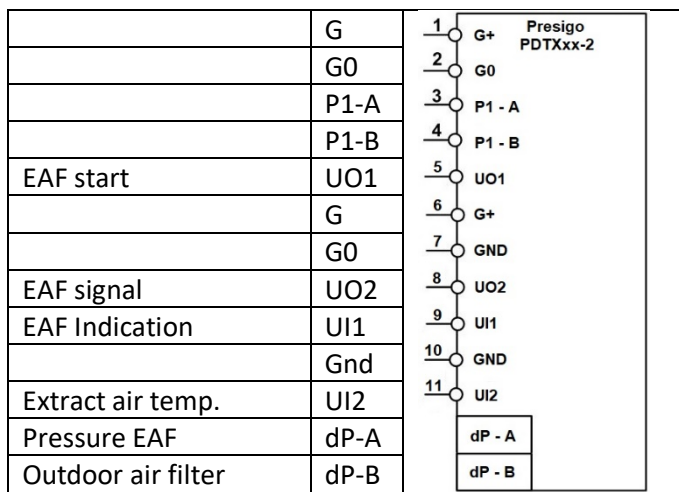
AB Regin
Head office

Tel: +46 (0)31- 720 02 00
E-mail: info@regin.se
www.regincontrols.com





Terminal connection Presigo Supply



Terminal connection Presigo Extract

File:

005_Corrigo50_VCA152_ExtractCascade_PressureFan_Exchange_WaterHeater_WaterCooler_Presigo

	G	1	G+	Presigo PDTXxx-2
	G0	2	G0	
	P1-A	3	P1 - A	
	P1-B	4	P1 - B	
SAF start	UO1	5	UO1	
	G	6	G+	
	G0	7	GND	
SAF signal	UO2	8	UO2	
SAF Indication	UI1	9	UI1	
	Gnd	10	GND	
Supply temperature	UI2	11	UI2	
Pressure SAF	dP-A		dP - A	
Extract air filter	dP-B		dP - B	

Terminal connection Presigo Supply

	G	1	G+	Presigo PDTXxx-2
	G0	2	G0	
	P1-A	3	P1 - A	
	P1-B	4	P1 - B	
EAF start	UO1	5	UO1	
	G	6	G+	
	G0	7	GND	
EAF signal	UO2	8	UO2	
EAF Indication	UI1	9	UI1	
	Gnd	10	GND	
	UI2	11	UI2	
Pressure EAF	dP-A		dP - A	
Outdoor air filter	dP-B		dP - B	

Terminal connection Presigo Extract

File:

006_Corrigo50_VCA152_RoomCascade_PressureFan_Exchange_WaterHeater_WaterCooler_Presigo

Examples which can be used for Vido-controllers with 20 IO's

AB Regin
Head office

Tel: +46 (0)31- 720 02 00
E-mail: info@regin.se
www.regincontrols.com

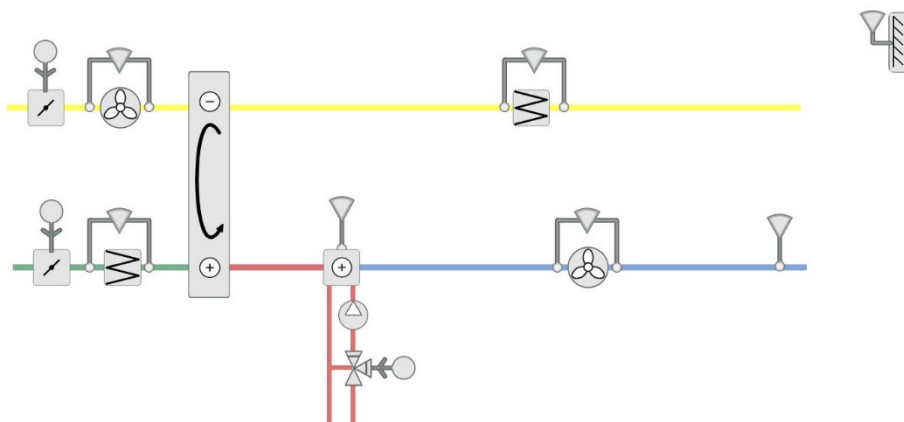


Example 101

Function-description:

Constant supply temperature control - Manual fan control –

Temperature control sequence with Rotary exchanger and Water heater



Outdoor temperature	AI1		N		
Supply temperature	AI2		L		
Frost protect. temp.	AI3				
	AI4			DO7	
Defrost Exchanger	UI1				
CO2 – opt.	UI2			DO6	DO6
Fan indication	UI3				C5-6
Extended run – opt.	UI4			DO5	DO5 Exhaust air damper
Outdoor air filter	DI1				
Extract air filter	DI2			DO4	DO4 Outdoor air damper
Fan signal	AO1			DO3	C3-4
Heater signal	AO2			DO2	DO3 Heater pump
	Agnd				
Exchanger signal	AO3				DO2
	M-B				C1-2
	M-A				DO1 Fan start

Terminal connection

File:

101_Corrigo50_VCV203_ConstSupply_ManualFan_Exchange_WaterHeater

AB Regin
Head office

Tel: +46 (0)31- 720 02 00
E-mail: info@regin.se
www.regincontrols.com

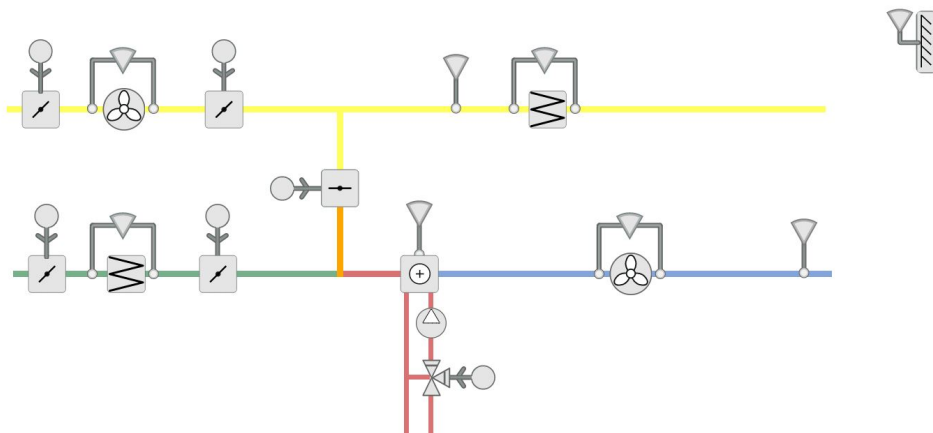
REGIN
THE CHALLENGER

Example 102

Function-description:

Extract air cascade temperature control - Manual fan control –

Temperature control sequence with Mixing damper and Water heater



Outdoor temperature	AI1		N	
Supply temperature	AI2		L	
Frost protect. temp.	AI3		DO7	
Extract air temp.	AI4		DO6	
	UI1		DO5	Exhaust air damper
CO2 – opt.	UI2		DO4	Outdoor air damper
Fan indication	UI3		DO3	Heater pump
Extended run – opt.	UI4		DO2	
Outdoor air filter	DI1		DO1	Fan start
Extract air filter	DI2			
Fan signal	AO1			
Heater signal	AO2			
	Agnd			
Mixing damper signal	AO3			
	M-B			
	M-A			

Terminal connection

File:

102_Corrigo50_VCV203_ExtractCascade_ManualFan_MixingDamper_WaterHeater

AB Regin
Head office

Tel: +46 (0)31- 720 02 00
E-mail: info@regin.se
www.regincontrols.com

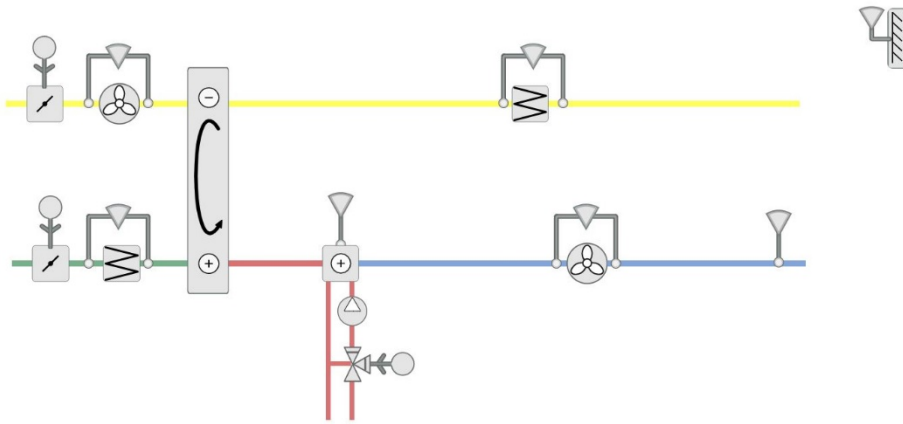
REGIN
THE CHALLENGER

Example 103

Function-description:

Constant supply temperature control - Manual control of 2 step fan –

Temperature control sequence with Rotary exchanger and Water heater



Outdoor temperature	AI1		N	
Supply temperature	AI2		L	
Frost protect. temp.	AI3		DO7	
	AI4		DO6	
Defrost Exchanger	UI1		DO5	Exhaust air damper
CO2 – opt.	UI2		DO4	Outdoor air damper
Fan indication	UI3		DO3	Heater pump
Extended run – opt.	UI4		DO2	Fan step2
Outdoor air filter	DI1		DO1	Fan step1
Extract air filter	DI2			
	AO1			
Heater signal	AO2			
	Agnd			
Exchanger signal	AO3			
	M-B			
	M-A			

Terminal connection

File:

103_Corrigo50_VCV203_ConstSupply_2StepFan_Exchange_WaterHeater

AB Regin
Head office

Tel: +46 (0)31- 720 02 00
E-mail: info@regin.se
www.regincontrols.com

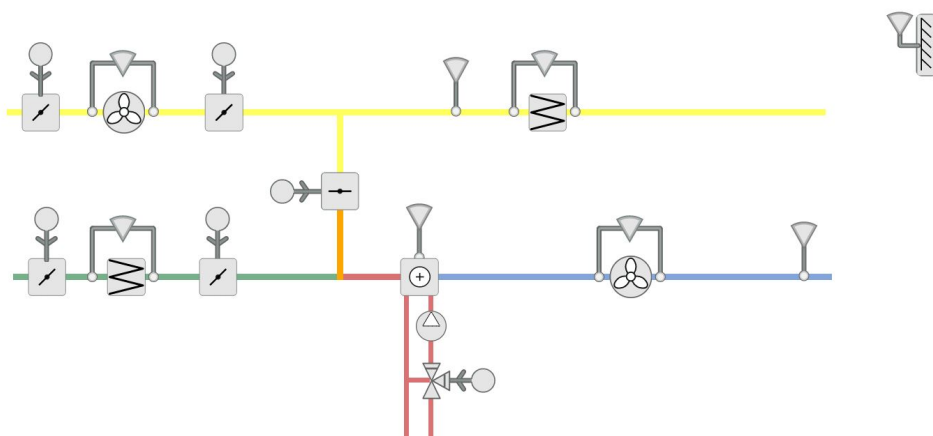
REGIN
THE CHALLENGER

Example 104

Function-description:

Extract air cascade temperature control - Manual control of 2 step fan –

Temperature control sequence with Mixing damper and Water heater



Outdoor temperature	AI1		N	
Supply temperature	AI2		L	
Frost protect. temp.	AI3		DO7	
Extract air temp.	AI4		DO6	
	UI1		DO5	Exhaust air damper
CO2 – opt.	UI2		DO4	Outdoor air damper
Fan indication	UI3		DO3	Heater pump
Extended run – opt.	UI4		DO2	Fan step2
Outdoor air filter	DI1		DO1	Fan step1
Extract air filter	DI2			
	AO1			
Heater signal	AO2			
	Agnd			
Exchanger signal	AO3			
	M-B			
	M-A			

Terminal connection

File:

104_Corrigo50_VCV203_ExtractCascade_2StepFan_MixingDamper_WaterHeater

AB Regin
Head office

Tel: +46 (0)31- 720 02 00
E-mail: info@regin.se
www.regincontrols.com

REGIN
THE CHALLENGER